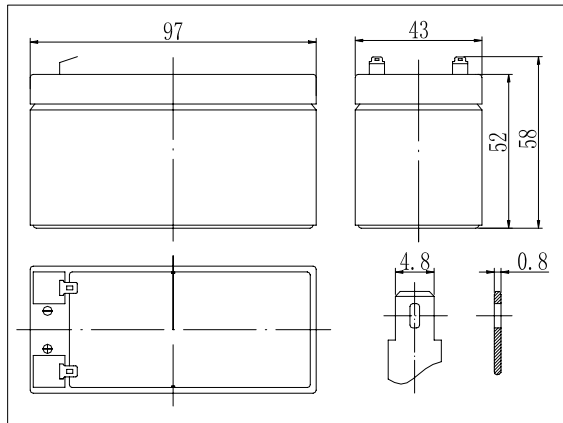
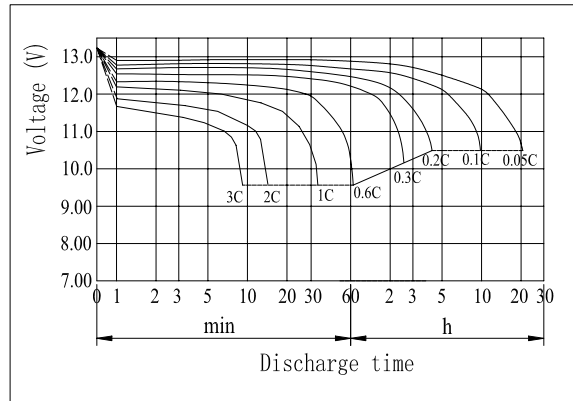


**Dimensions**



**Discharge Characteristics(25°C)**

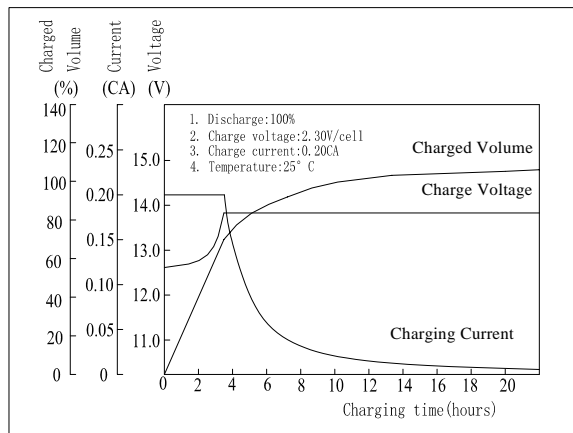


**Specifications**

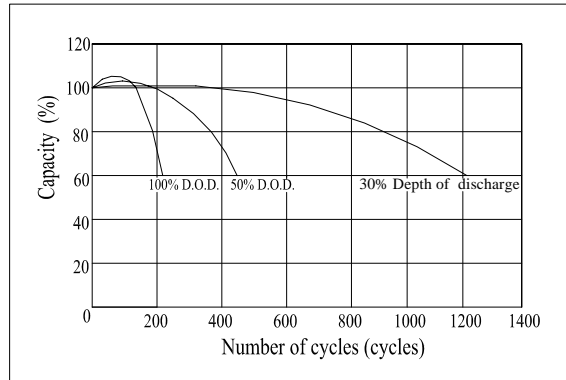
Nominal Voltage		12 V
Capacity(20HR, 25°C)		1.3 Ah
Dimension	Length	97mm +/- 1mm
	Width	43mm +/- 1mm
	Height	52mm +/- 1mm
	Total Height	58mm +/- 1mm
Approx. Weight		0.61kg
Internal resistance (Fully charged, 25°C)		Approx. 95mΩ
Capacity affected by temperature (20HR)	40°C	102%
	25°C	100%
	0°C	85%
	-15°C	65%
Self-discharge (25°C)	3 month	Remaining Capacity: 91%
	6 month	Remaining Capacity: 82%
	12 month	Remaining Capacity: 65%
Nominal operating temperature		25°C±3°C
Operating temperature range		-15°C-50°C
Float charging voltage(25°C)		13.60 to 13.80V
Cyclic charging voltage(25°C)		14.50 to 14.90V
Maximum charging current		0.52A
Terminal material		Copper
Maximum discharge current		19.5A(5 sec.)

- Absorbent glass mat technology;
- Recognized by UL & CE;
- Flame retardant ABS container (UL94V-0/ 94V-2).

**Charging Characteristics(25°C)**



**Cycle Life(25°C)**



Note: Floating life at 25°C designed for 3 to 5 years.

**Constant Current Discharge Characteristics (A, 25°C)**

F.V/TIME	5min	10min	15min	30min	60min	3h	5h	10h	20h
9.60V	4.94	3.12	2.47	1.43	0.85	0.33	0.22	0.12	0.066
10.2V	4.69	2.96	2.37	1.37	0.81	0.33	0.22	0.12	0.065
10.8V	4.41	2.79	2.25	1.30	0.77	0.32	0.22	0.12	0.065

**Constant Power Discharge Characteristics (Watt, 25°C)**

F.V/TIME	5min	10min	15min	30min	60min	3h	5h	10h	20h
9.60V	55.1	35.2	28.2	16.4	9.8	3.9	2.7	1.46	0.79
10.2V	52.4	33.4	27.0	15.7	9.4	3.9	2.6	1.44	0.78
10.8V	49.2	31.4	25.7	14.9	8.9	3.8	2.6	1.44	0.78