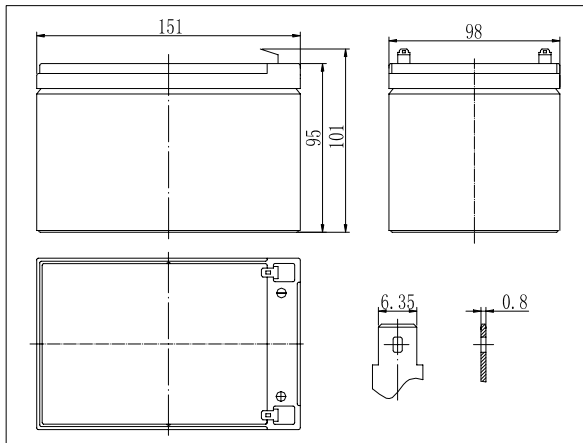
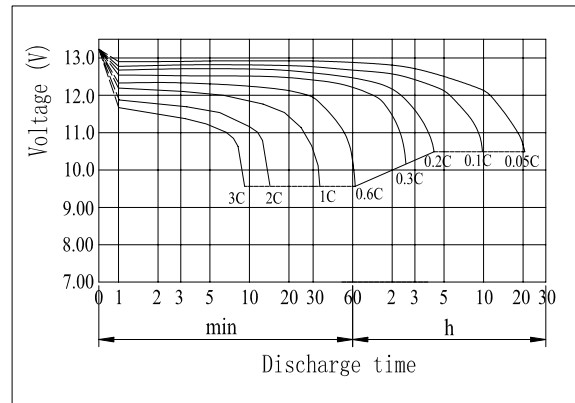


Dimensions



Discharge Characteristics (25°C)

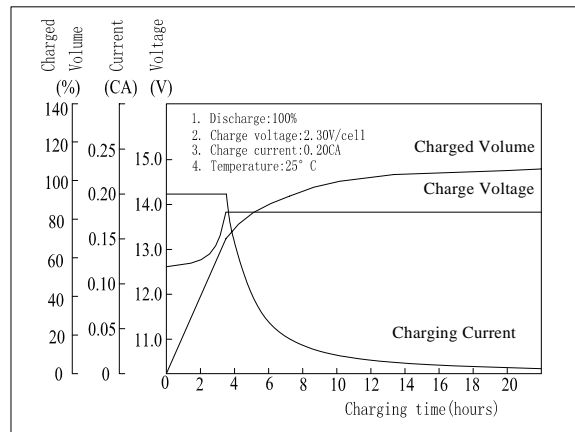


Specifications

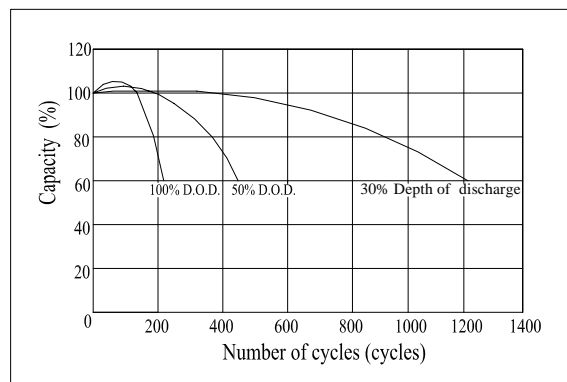
Nominal Voltage		12 V
Capacity (20HR, 25°C)		10Ah
Dimension	Length	151mm +/- 1mm
	Width	98mm +/- 1mm
	Height	95mm +/- 1mm
	Total Height	101mm +/- 1mm
Approx. Weight		3.70kg
Internal resistance (Fully charged, 25°C)		Approx. 21mΩ
Capacity affected by temperature (20HR)	40°C	102%
	25°C	100%
	0°C	85%
	-15°C	65%
Self-discharge (25°C)	3 month	Remaining Capacity: 91%
	6 month	Remaining Capacity: 82%
	12 month	Remaining Capacity: 65%
Nominal operating temperature		25°C ± 3°C
Operating temperature range		-15°C - 50°C
Float charging voltage(25°C)		13.60 to 13.80V
Cyclic charging voltage(25°C)		14.50 to 14.90V
Maximum charging current		4A
Terminal material		Copper
Maximum discharge current		150A (5sec.)

- Absorbent glass mat technology;
- Recognized by UL & CE;
- Flame retardant ABS container (UL94V-0/ 94V-2).

Charging Characteristics (25°C)



Cycle Life (25°C)



Note: Floating life at 25°C designed for 3 to 5 years.

Constant Current Discharge Characteristics (A, 25°C)

F.V/TIME	5min	10min	15min	30min	60min	3h	5h	10h	20h
9.60V	38.0	24.0	19.0	11.0	6.50	2.54	1.73	0.93	0.51
10.2V	36.1	22.8	18.2	10.6	6.24	2.50	1.70	0.93	0.50
10.8V	33.9	21.4	17.3	10.0	5.93	2.45	1.67	0.92	0.50

Constant Power Discharge Characteristics (Watt, 25°C)

F.V/TIME	5min	10min	15min	30min	60min	3h	5h	10h	20h
9.60V	424	271	217	126	75.3	30.1	20.6	11.2	6.09
10.2V	403	257	208	121	72.3	29.7	20.3	11.1	6.04
10.8V	379	242	198	115	68.6	29.1	19.9	11.1	6.00