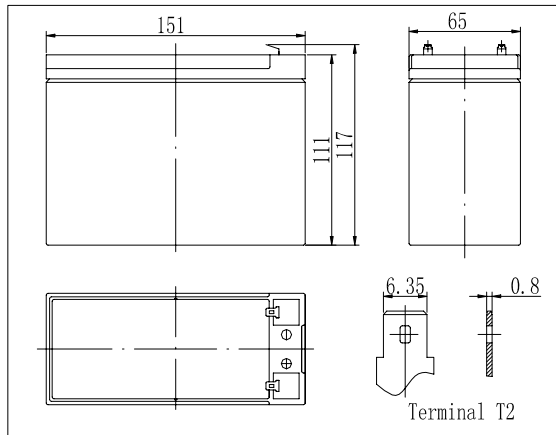
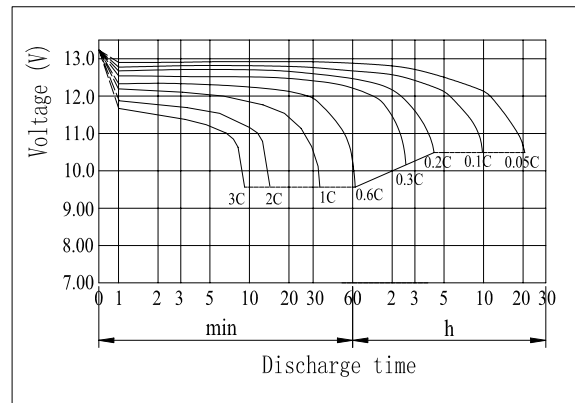


**Dimensions**



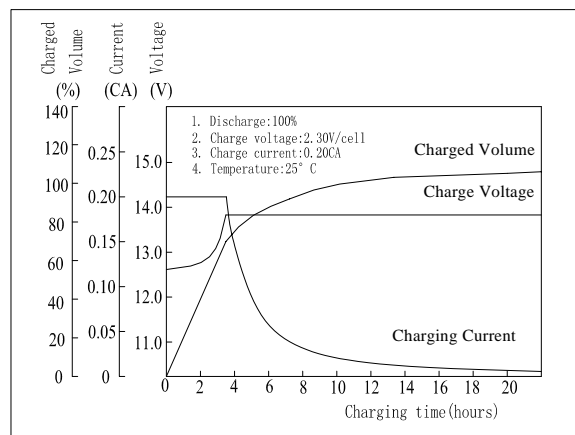
**Discharge Characteristics (25°C)**



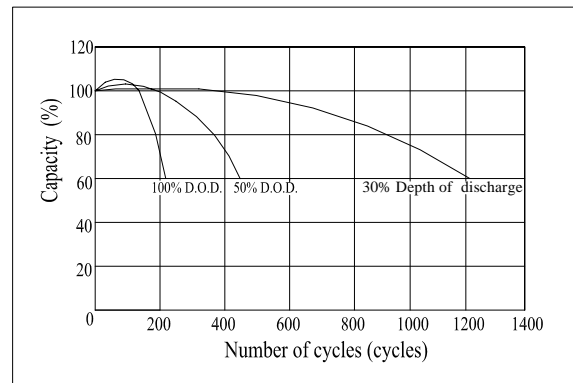
**Specifications**

Nominal Voltage		12 V
Capacity (20HR, 25°C)		10Ah
Dimension	Length	151mm +/- 1mm
	Width	65mm +/- 1mm
	Height	111mm +/- 1mm
	Total Height	117mm +/- 1mm
Approx. Weight		2.9kg
Internal resistance (Fully charged, 25°C)		Approx. 22mΩ
Capacity affected by temperature (20HR)	40°C	102%
	25°C	100%
	0°C	85%
	-15°C	65%
Self-discharge (25°C)	3 month	Remaining Capacity: 91%
	6 month	Remaining Capacity: 82%
	12 month	Remaining Capacity: 65%
Nominal temperature range		25°C ± 3°C
Operation temperature range		-15°C - 50°C
Float charging voltage(25°C)		13.60 to 13.80V
Cyclic charging voltage(25°C)		14.50 to 14.90V
Maximum charging current		4A
Terminal material		Copper
Maximum discharge current		150A (5 sec.)

**Charging Characteristics (25°C)**



**Cycle Life (25°C)**



Note: Floating life at 25°C designed for 3 to 5 years.

- Absorbent glass mat technology;
- Recognized by UL & CE;
- Flame retardant ABS container (UL94V-0/ 94V-2).

**Constant Current Discharge Characteristics (A, 25°C)**

F.V/TIME	5min	10min	15min	30min	60min	3h	5h	10h	20h
9.60V	42.0	28.2	20.8	11.7	6.40	2.44	1.66	0.91	0.50
10.2V	39.9	26.8	20.0	11.2	6.14	2.40	1.64	0.90	0.50
10.8V	37.5	25.2	19.0	10.5	5.83	2.35	1.61	0.88	0.49

**Constant Power Discharge Characteristics (Watt, 25°C)**

F.V/TIME	5min	10min	15min	30min	60min	3h	5h	10h	20h
9.60V	469	318	237	134	74.1	29.0	19.8	10.9	6.00
10.2V	445	302	228	128	71.1	28.5	19.6	10.8	6.00
10.8V	419	284	217	120	67.5	27.9	19.2	10.6	5.88