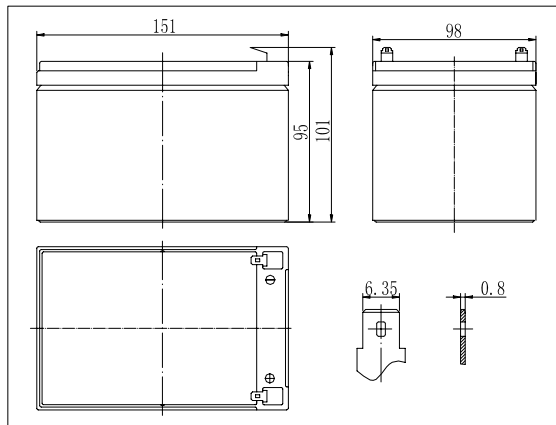
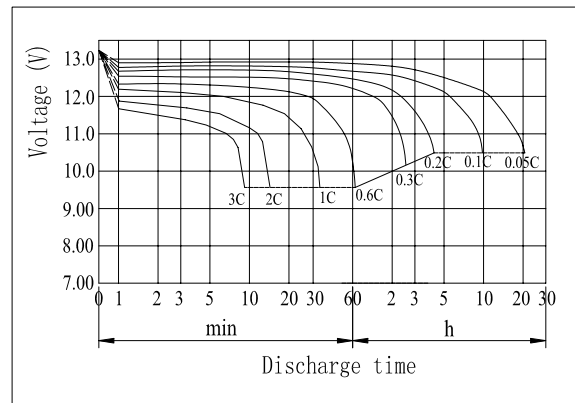


Dimensions



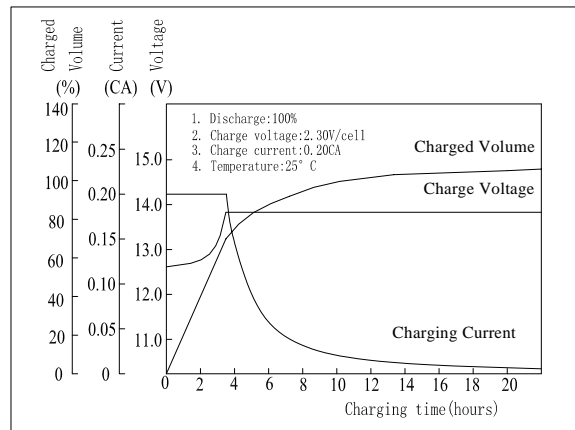
Discharge Characteristics (25°C)



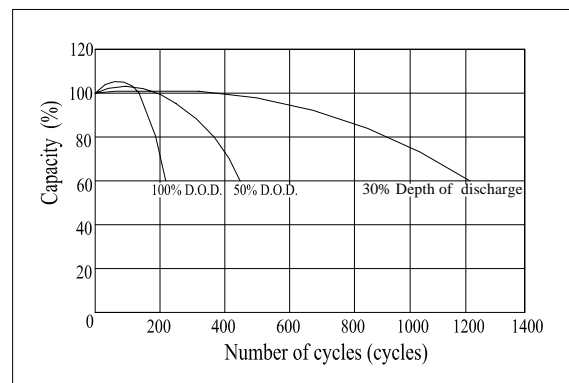
Specifications

Nominal Voltage	12 V	
Capacity (20HR, 25°C)	12 Ah	
Dimension	Length	151mm +/- 1mm
	Width	98mm +/- 1mm
	Height	95mm +/- 1mm
	Total Height	101mm +/- 1mm
Approx. Weight	3.70kg	
Internal resistance (Fully charged, 25°C)	Approx. 17mΩ	
Capacity affected by temperature (20HR)	40°C	102%
	25°C	100%
	0°C	85%
	-15°C	65%
Self-discharge (25°C)	3 month	Remaining Capacity: 91%
	6 month	Remaining Capacity: 82%
	12 month	Remaining Capacity: 65%
Nominal operating temperature	25°C ± 3°C	
Operating temperature range	-15°C - 50°C	
Float charging voltage(25°C)	13.60 to 13.80V	
Cyclic charging voltage(25°C)	14.50 to 14.90V	
Maximum charging current	4.8A	
Terminal material	Copper	
Maximum discharge current	180A (5 sec.)	

Charging Characteristics (25°C)



Cycle Life (25°C)



Note: Floating life at 25°C designed for 3 to 5 years.

- Absorbent glass mat technology;
- Recognized by UL & CE;
- Flame retardant ABS container (UL94V-0/ 94V-2).

Constant Current Discharge Characteristics (A, 25°C)

F.V/TIME	5min	10min	15min	30min	60min	3h	5h	10h	20h
9.60V	45.6	28.8	22.8	13.2	7.80	3.05	2.07	1.12	0.61
10.2V	43.3	27.4	21.9	12.7	7.49	3.00	2.04	1.11	0.60
10.8V	40.7	25.7	20.8	12.0	7.11	2.94	2.00	1.10	0.60

Constant Power Discharge Characteristics (Watt, 25°C)

F.V/TIME	5min	10min	15min	30min	60min	3h	5h	10h	20h
9.60V	509	325	260	151	90.3	36.2	24.7	13.4	7.31
10.2V	483	309	250	145	86.7	35.6	24.4	13.3	7.24
10.8V	454	290	237	138	82.4	34.9	23.9	13.3	7.20