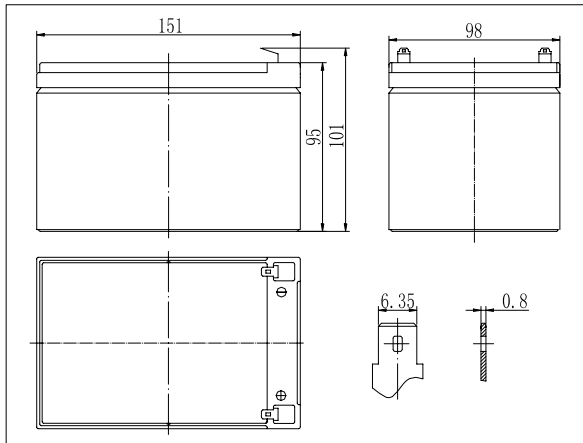
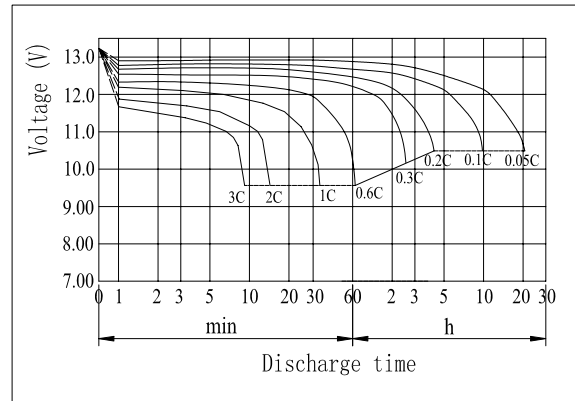


**Dimensions**



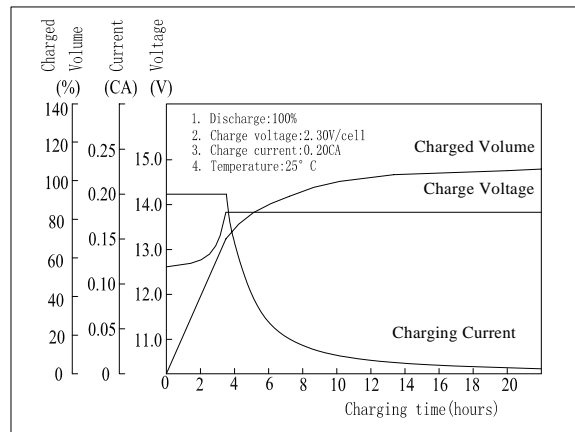
**Discharge Characteristics(25°C)**



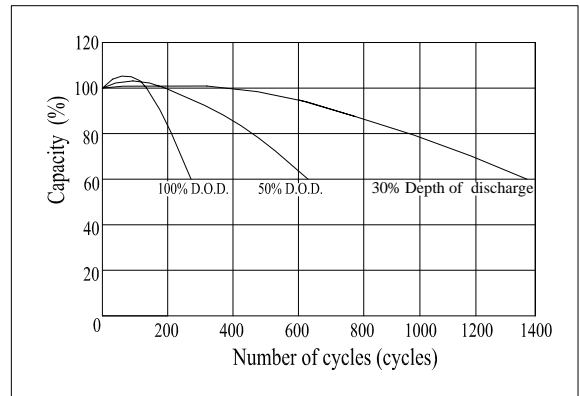
**Specifications**

Nominal Voltage	12 V	
Capacity (20HR, 25°C)	12 Ah	
Dimension	Length	151mm
	Width	98mm
	Height	95mm
	Total Height	101mm
Approx. Weight	4.2kg	
Internal resistance (Fully charged, 25°C)	Approx. 17mΩ	
Capacity affected by temperature (20HR)	40°C	102%
	25°C	100%
	0°C	85%
	-15°C	65%
Self-discharge (25°C)	3 month	Remaining Capacity: 91%
	6 month	Remaining Capacity: 82%
	12 month	Remaining Capacity: 65%
Nominal operating temperature	25°C ± 3°C	
Operating temperature range	-15°C - 50°C	
Float charging voltage (25°C)	13.60 to 13.80V	
Cyclic charging voltage (25°C)	14.50 to 14.90V	
Maximum charging current	4.8A	
Terminal material	Copper	
Maximum discharge current	180A (5 sec.)	

**Charging Characteristics(25°C)**



**Cycle Life(25°C)**



Note: Floating life at 20°C designed for 3 to 5 years.

- Absorbent glass mat technology;
- Recognized by UL & CE;
- Flame retardant ABS container (UL94V-0/ 94V-2).

**Constant Current Discharge Characteristics (A, 25°C)**

F.V/TIME	5min	10min	15min	30min	60min	3h	5h	10h	20h
9.60V	46.5	29.4	23.0	13.3	7.88	3.05	2.07	1.12	0.61
10.2V	44.2	27.9	22.1	12.8	7.56	3.00	2.04	1.11	0.60
10.8V	41.5	26.2	21.0	12.2	7.18	2.94	2.00	1.10	0.60

**Constant Power Discharge Characteristics (Watt, 25°C)**

F.V/TIME	5min	10min	15min	30min	60min	3h	5h	10h	20h
9.60V	519	331	263	153	91.2	36.2	24.7	13.4	7.31
10.2V	493	315	252	147	87.6	35.6	24.4	13.3	7.24
10.8V	464	296	239	139	83.2	34.9	23.9	13.3	7.20