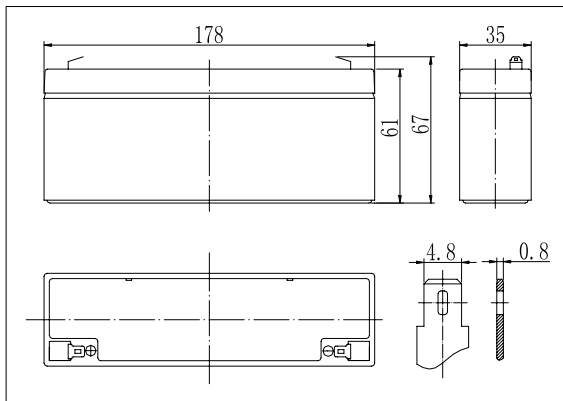
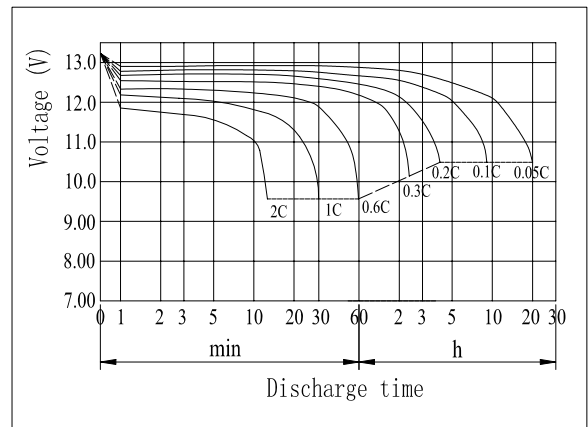


**Dimensions**



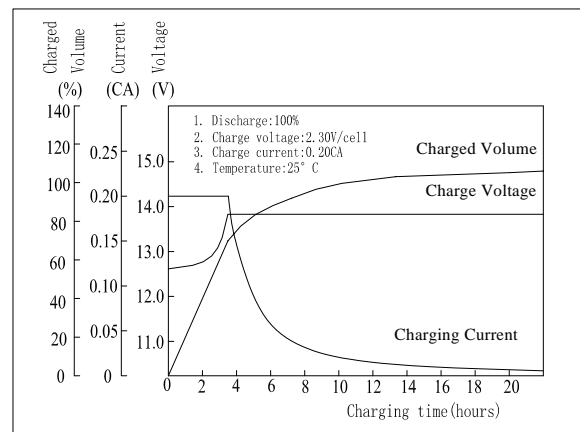
**Discharge Characteristics(25°C)**



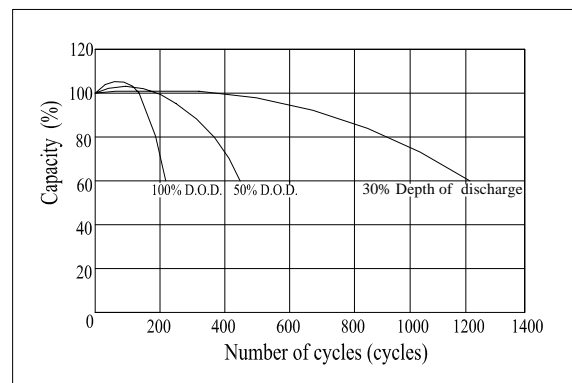
**Specifications**

Nominal Voltage	12 V	
Capacity(20HR, 25°C)	2.3 Ah	
Dimension	Length	178mm +/- 1mm
	Width	35mm +/- 1mm
	Height	61mm +/- 1mm
	Total Height	67mm +/- 1mm
Approx. Weight	0.99kg	
Internal resistance (Fully charged, 25°C)	Approx. 60mΩ	
Capacity affected by temperature (20HR)	40°C	102%
	25°C	100%
	0°C	85%
	-15°C	65%
Self-discharge (25°C)	3 month	Remaining Capacity: 91%
	6 month	Remaining Capacity: 82%
	12 month	Remaining Capacity: 65%
Nominal temperature range	25°C±3°C	
Operation temperature range	-15°C -50°C	
Float charging voltage(25°C)	13.60 to 13.80V	
Cyclic charging voltage(25°C)	14.50 to 14.90V	
Maximum charging current	0.92A	
Terminal material	Copper	
Maximum discharge current	34.5A(5 sec.)	

**Charging Characteristics(25°C)**



**Cycle Life(25°C)**



Note: Floating life at 25°C designed for 3 to 5 years.

- Absorbent glass mat technology;
- Recognized by UL & CE;
- Flame retardant ABS container (UL94V-0/ 94V-2).

**Constant Current Discharge Characteristics (A, 25°C)**

F.V/TIME	5min	10min	15min	30min	60min	3h	5h	10h	20h
9.60V	9.20	5.80	4.50	2.60	1.54	0.59	0.40	0.22	0.12
10.2V	8.74	5.51	4.32	2.50	1.48	0.58	0.39	0.22	0.12
10.8V	8.22	5.18	4.10	2.37	1.40	0.57	0.38	0.22	0.11

**Constant Power Discharge Characteristics (Watt, 25°C)**

F.V/TIME	5min	10min	15min	30min	60min	3h	5h	10h	20h
9.60V	103	65.4	51.3	29.8	17.8	6.99	4.73	2.68	1.44
10.2V	97.5	62.2	49.2	28.6	17.1	6.89	4.66	2.66	1.44
10.8V	91.7	58.4	46.8	27.2	16.3	6.75	4.56	2.66	1.32