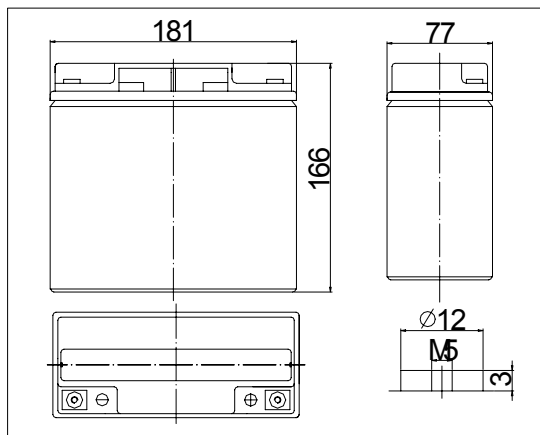
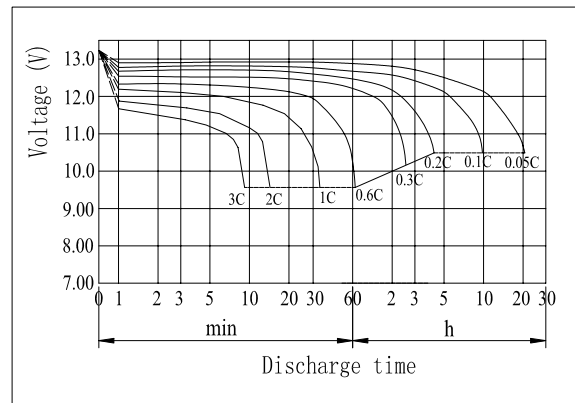


Dimensions



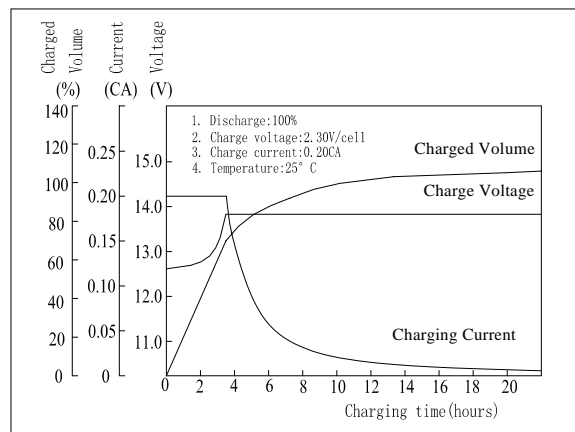
Discharge Characteristics (25°C)



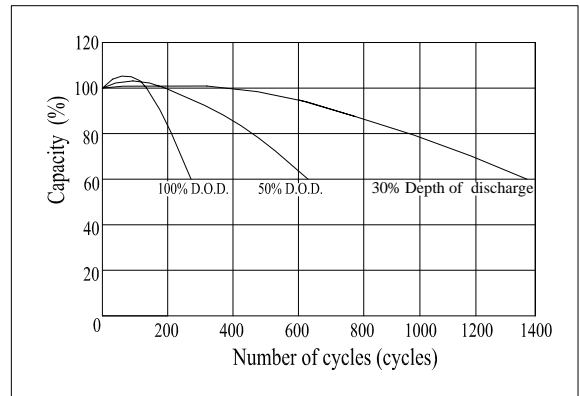
Specifications

| | | |
|---|-----------------|-------------------------|
| Nominal Voltage | 12 V | |
| Capacity (20HR, 25°C) | 22Ah | |
| Dimension | Length | 181mm |
| | Width | 77mm |
| | Height | 166mm |
| | Total Height | 166mm |
| Approx. Weight | 6.40kg | |
| Internal resistance (Fully charged, 25°C) | Approx. 14mΩ | |
| Capacity affected by temperature (20HR) | 40°C | 102% |
| | 25°C | 100% |
| | 0°C | 85% |
| | -15°C | 65% |
| Self-discharge (25°C) | 3 month | Remaining Capacity: 91% |
| | 6 month | Remaining Capacity: 82% |
| | 12 month | Remaining Capacity: 65% |
| Nominal operating temperature | 25°C ± 3°C | |
| Operating temperature range | -15°C - 50°C | |
| Float charging voltage (25°C) | 13.60 to 13.80V | |
| Cyclic charging voltage (25°C) | 14.50 to 14.90V | |
| Maximum charging current | 8.8A | |
| Terminal material | Copper | |
| Maximum discharge current | 330A (5 sec.) | |

Charging Characteristics (25°C)



Cycle Life (25°C)



Note: Floating life at 20°C designed for 3 to 5 years.

- Absorbent glass mat technology;
- Recognized by UL & CE;
- Flame retardant ABS container (UL94V-0/ 94V-2).

Constant Current Discharge Characteristics (A, 25°C)

| F.V/TIME | 5min | 10min | 15min | 30min | 60min | 3h | 5h | 10h | 20h |
|----------|------|-------|-------|-------|-------|------|------|------|------|
| 9.60V | 85.3 | 53.9 | 42.2 | 24.4 | 14.4 | 5.58 | 3.80 | 2.05 | 1.12 |
| 10.2V | 81.0 | 51.2 | 40.5 | 23.5 | 13.9 | 5.50 | 3.74 | 2.04 | 1.11 |
| 10.8V | 76.1 | 48.1 | 38.5 | 22.3 | 13.2 | 5.39 | 3.67 | 2.02 | 1.10 |

Constant Power Discharge Characteristics (Watt, 25°C)

| F.V/TIME | 5min | 10min | 15min | 30min | 60min | 3h | 5h | 10h | 20h |
|----------|------|-------|-------|-------|-------|------|------|------|------|
| 9.60V | 952 | 607 | 481 | 280 | 167 | 66.3 | 45.3 | 24.7 | 13.4 |
| 10.2V | 904 | 577 | 462 | 269 | 161 | 65.3 | 44.7 | 24.4 | 13.3 |
| 10.8V | 850 | 542 | 439 | 255 | 153 | 64.0 | 43.8 | 24.4 | 13.2 |