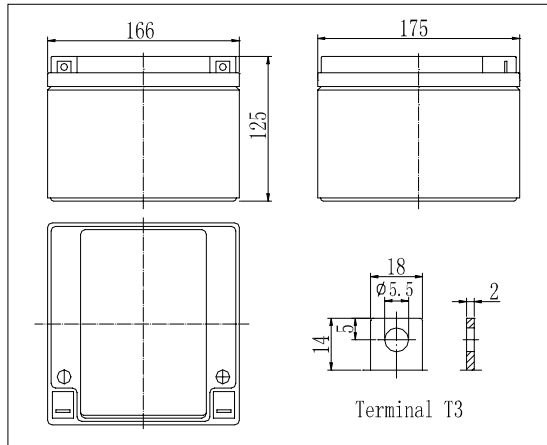
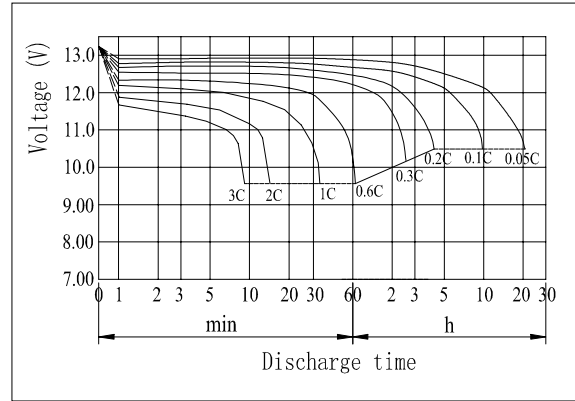


**Dimensions**



**Discharge Characteristics(25°C)**

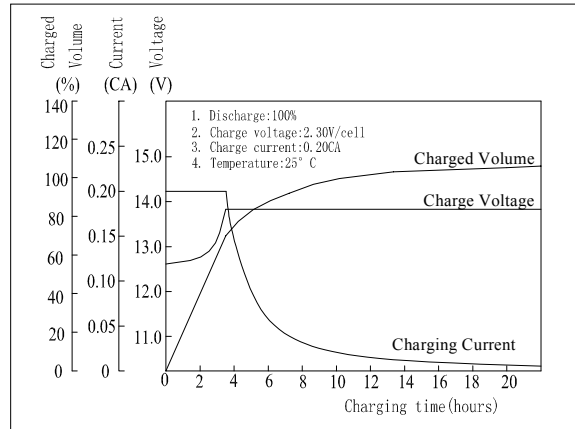


**Specifications**

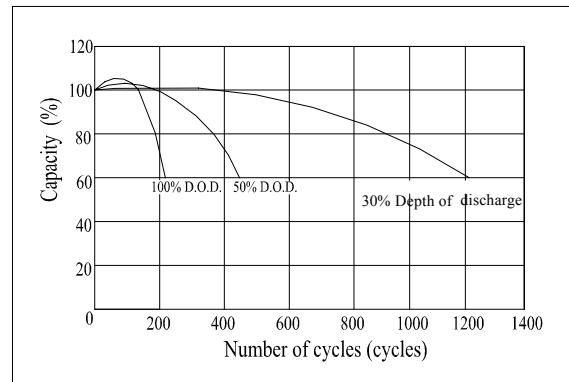
Nominal Voltage	12 V	
Capacity(20HR, 25°C)	24Ah	
Dimension	Length	166mm +/- 1mm
	Width	175mm +/- 1mm
	Height	125mm +/- 1mm
	Total Height	125mm +/- 1mm
Approx. Weight	8.60kg	
Internal resistance (Fully charged, 25°C)	Approx. 12m Ω	
Capacity affected by temperature (20HR)	40°C	102%
	25°C	100%
	0°C	85%
	-15°C	65%
Self-discharge (25°C)	3 month	Remaining Capacity: 91%
	6 month	Remaining Capacity: 82%
	12 month	Remaining Capacity: 65%
Nominal operating temperature	25°C±3°C	
Operating temperature range	-15°C - 50°C	
Float charging voltage(25°C)	13.60 to 13.80V	
Cyclic charging voltage(25°C)	14.50 to 14.90V	
Maximum charging current	9.6A	
Terminal material	Copper	
Maximum discharge current	360A(5 sec.)	

- Absorbent glass mat technology;
- Recognized by UL & CE;
- Flame retardant ABS container (UL94V-0/ 94V-2).

**Charging Characteristics(25°C)**



**Cycle Life(25°C)**



Note: Floating life at 25°C designed for 3 to 5 years.

**Constant Current Discharge Characteristics (A, 25°C)**

F.V/TIME	5min	10min	15min	30min	60min	3h	5h	10h	20h
9.60V	91.2	57.6	45.6	26.4	15.6	6.09	4.14	2.24	1.22
10.2V	86.6	54.7	43.8	25.3	15.0	6.00	4.08	2.22	1.21
10.8V	81.4	51.4	41.6	24.1	14.2	5.88	4.00	2.21	1.20

**Constant Power Discharge Characteristics (Watt, 25°C)**

F.V/TIME	5min	10min	15min	30min	60min	3h	5h	10h	20h
9.60V	1018	650	520	303	181	72.3	49.4	26.9	14.6
10.2V	967	617	499	290	173	71.3	48.7	26.7	14.5
10.8V	909	580	474	276	165	69.9	47.7	26.7	14.4