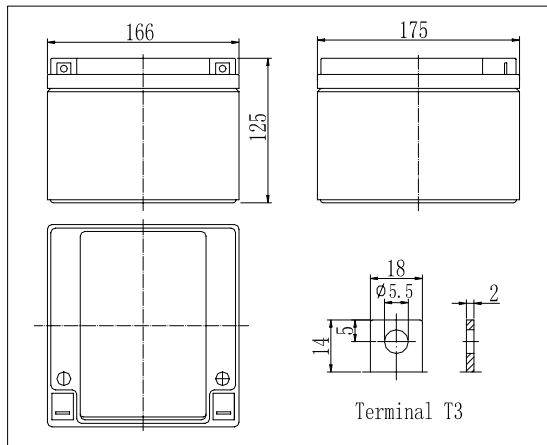
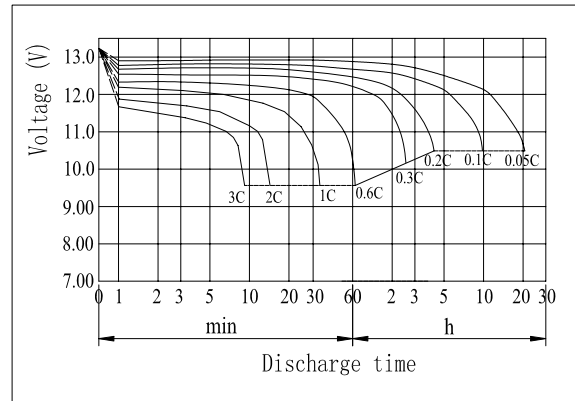


**Dimensions**



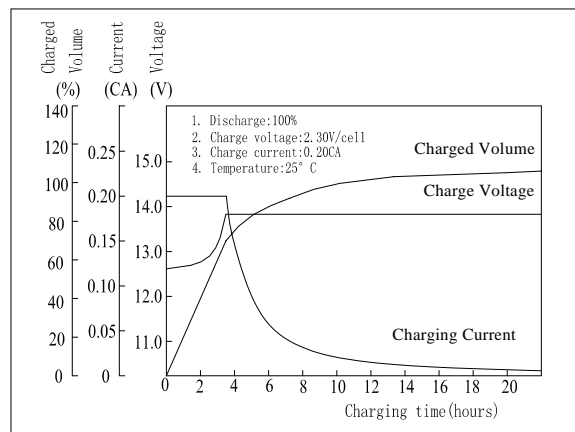
**Discharge Characteristics(25°C)**



**Specifications**

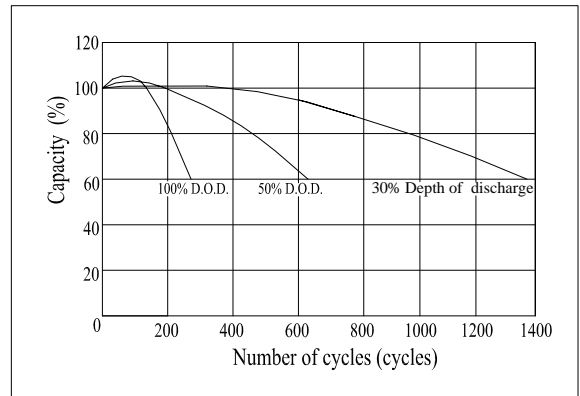
Nominal Voltage	12 V	
Capacity(20HR, 25°C)	26Ah	
Dimension	Length	166mm +/- 1mm
	Width	175mm +/- 1mm
	Height	125mm +/- 1mm
	Total Height	125mm +/- 1mm
Approx. Weight	8.5kg	
Internal resistance (Fully charged, 25°C)	Approx. 12mΩ	
Capacity affected by temperature (20HR)	40°C	102%
	25°C	100%
	0°C	85%
	-15°C	65%
Self-discharge (25°C)	3 month	Remaining Capacity: 91%
	6 month	Remaining Capacity: 82%
	12 month	Remaining Capacity: 65%
Nominal operating temperature	25°C±3°C	
Operating temperature range	-15°C -50°C	
Float charging voltage(25□)	13.60 to 13.80V	
Cyclic charging voltage(25□)	14.50 to 14.90V	
Maximum charging current	7.8A	
Terminal material	Copper	
Maximum discharge current	310A(5 sec.)	

**Charging Characteristics(25°C)**



- Absorbent glass mat technology;
- Recognized by UL & CE;
- Flame retardant ABS container (UL94V-0/ 94V-2).

**Cycle Life(25°C)**



Note: Floating life at 25°C designed for 3 to 5 years.

**Constant Current Discharge Characteristics (A, 25°C)**

F.V/TIME	5min	10min	15min	30min	60min	3h	5h	10h	20h
9.60V	101	63.6	49.9	28.9	17.1	6.60	4.49	2.43	1.32
10.2V	95.7	60.5	47.9	27.7	16.4	6.50	4.42	2.41	1.31
10.8V	90.0	56.8	45.5	26.3	15.6	6.37	4.33	2.39	1.30

**Constant Power Discharge Characteristics (Watt, 25°C)**

F.V/TIME	5min	10min	15min	30min	60min	3h	5h	10h	20h
9.60V	1125	718	569	331	198	78.4	53.6	29.1	15.8
10.2V	1068	682	546	318	190	77.2	52.8	28.9	15.7
10.8V	1004	641	519	302	180	75.7	51.7	28.9	15.6