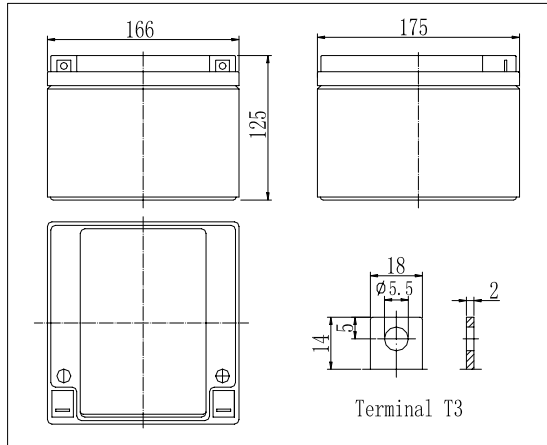
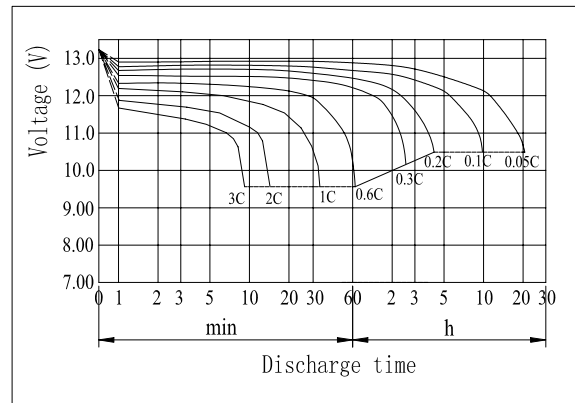


Dimensions



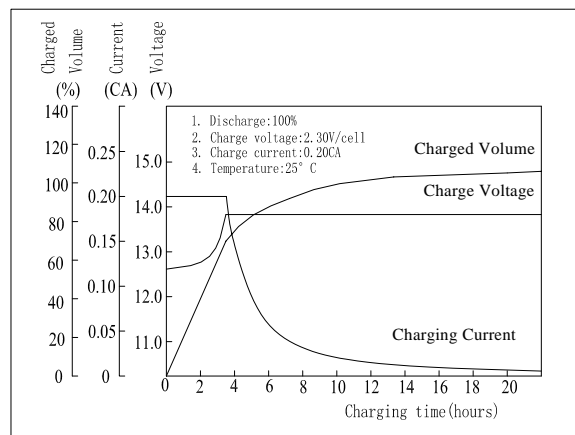
Discharge Characteristics(25°C)



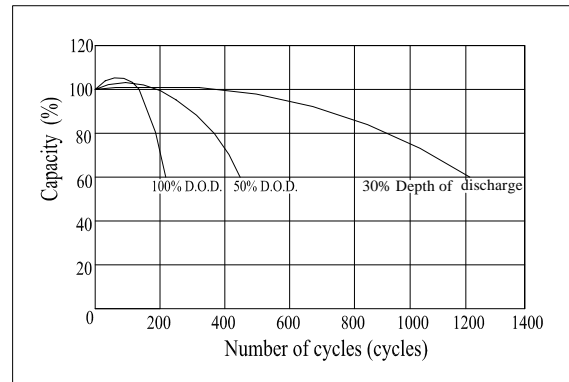
Specifications

Nominal Voltage		12 V
Capacity(20HR, 25°C)		28Ah
Dimension	Length	166mm +/- 1mm
	Width	175mm +/- 1mm
	Height	125mm +/- 1mm
	Total Height	125mm +/- 1mm
Approx. Weight		9.2kg
Internal resistance (Fully charged, 25°C)		Approx. 10mΩ
Capacity affected by temperature (20HR)	40°C	102%
	25°C	100%
	0°C	85%
	-15°C	65%
Self-discharge (25°C)	3 month	Remaining Capacity: 91%
	6 month	Remaining Capacity: 82%
	12 month	Remaining Capacity: 65%
Nominal operating temperature		25°C±3°C
Operating temperature range		-15°C - 50°C
Float charging voltage(25°C)		13.60 to 13.80V
Cyclic charging voltage(25°C)		14.50 to 14.90V
Maximum charging current		11.2A
Terminal material		Copper
Maximum discharge current		420A(5 sec.)

Charging Characteristics(25°C)



Cycle Life(25°C)



- Absorbent glass mat technology;
- Recognized by UL & CE;
- Flame retardant ABS container (UL94V-0/ 94V-2).

Note: Floating life at 25°C designed for 3 to 5 years.

Constant Current Discharge Characteristics (A, 25°C)

F.V/TIME	5min	10min	15min	30min	60min	3h	5h	10h	20h
9.60V	106	67.2	53.2	30.8	18.2	7.11	4.83	2.61	1.42
10.2V	101	63.8	51.1	29.6	17.5	7.00	4.76	2.59	1.41
10.8V	95.0	60.0	48.5	28.1	16.6	6.86	4.66	2.58	1.40

Constant Power Discharge Characteristics (Watt, 25°C)

F.V/TIME	5min	10min	15min	30min	60min	3h	5h	10h	20h
9.60V	1187	758	606	353	211	84.4	57.7	31.4	17.1
10.2V	1128	720	582	339	202	83.2	56.8	31.1	16.9
10.8V	1060	677	553	322	192	81.5	55.7	31.1	16.8