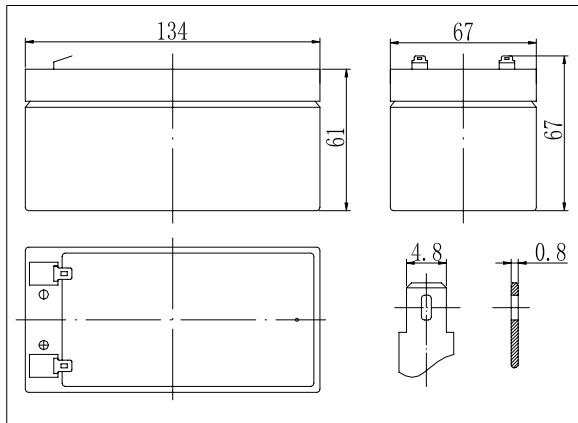
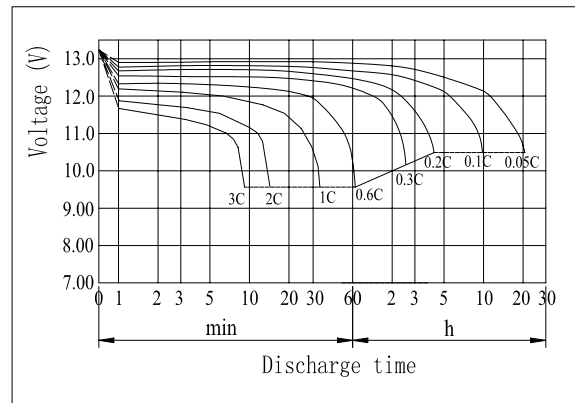


Dimensions



Discharge Characteristics(25°C)

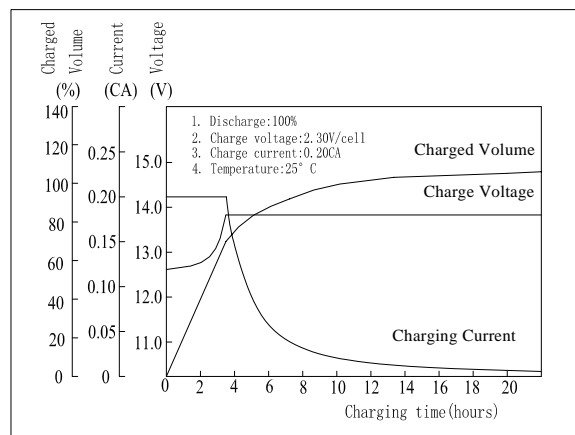


Specifications

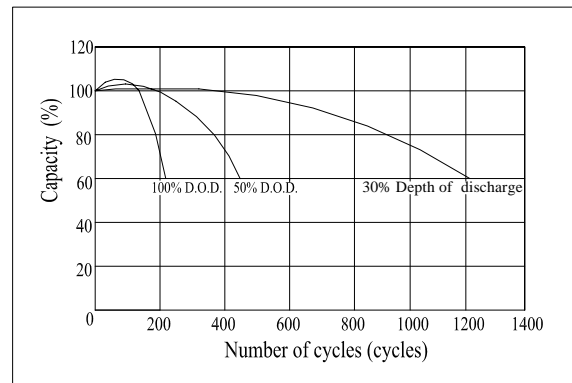
Nominal Voltage		12 V
Capacity(20HR, 25°C)		3.4 Ah
Dimension	Length	134mm +/- 1mm
	Width	67mm +/- 1mm
	Height	61mm +/- 1mm
	Total Height	67mm +/- 1mm
Approx. Weight		1.4kg
Internal resistance (Fully charged, 25°C)		Approx. 45mΩ
Capacity affected by temperature (20HR)	40°C	102%
	25°C	100%
	0°C	85%
	-15°C	65%
Self-discharge (25°C)	3 month	Remaining Capacity: 91%
	6 month	Remaining Capacity: 82%
	12 month	Remaining Capacity: 65%
Nominal operating temperature		25°C±3°C
Operating temperature range		-15°C-50°C
Float charging voltage(25°C)		13.60 to 13.80V
Cyclic charging voltage(25°C)		14.50 to 14.90V
Maximum charging current		1.28A
Terminal material		Copper
Maximum discharge current		48A(5 sec.)

- Absorbent glass mat technology;
- Recognized by UL & CE;
- Flame retardant ABS container (UL94V-0/ 94V-2).

Charging Characteristics(25°C)



Cycle Life(25°C)



Note: Floating life at 25°C designed for 3 to 5 years.

Constant Current Discharge Characteristics (A, 25°C)

F.V/TIME	5min	10min	15min	30min	60min	3h	5h	10h	20h
9.60V	12.9	8.16	6.46	3.74	2.21	0.86	0.59	0.32	0.17
10.2V	12.3	7.75	6.20	3.59	2.12	0.85	0.58	0.31	0.17
10.8V	11.5	7.29	5.89	3.41	2.02	0.83	0.57	0.31	0.17

Constant Power Discharge Characteristics (Watt, 25°C)

F.V/TIME	5min	10min	15min	30min	60min	3h	5h	10h	20h
9.60V	144	92.0	73.6	42.9	25.6	10.2	7.00	3.81	2.07
10.2V	137	87.4	70.7	41.1	24.6	10.1	6.90	3.78	2.05
10.8V	129	82.2	67.2	39.1	23.3	9.90	6.76	3.78	2.04