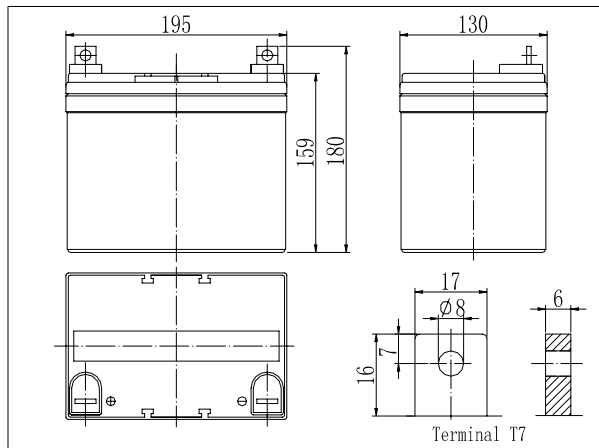
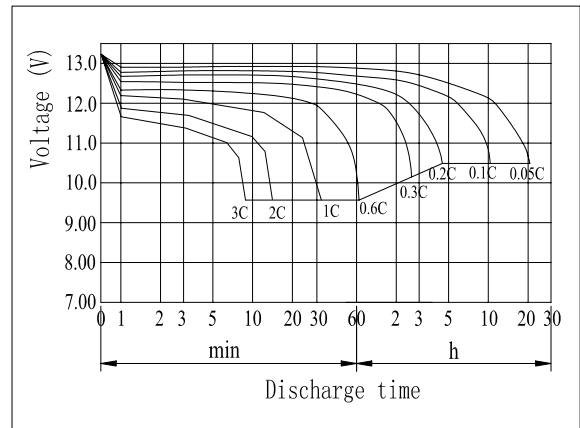


**Dimensions**



**Discharge Characteristics(25°C)**

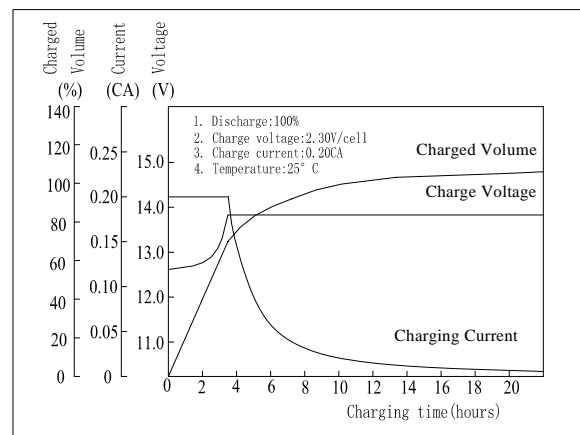


**Specifications**

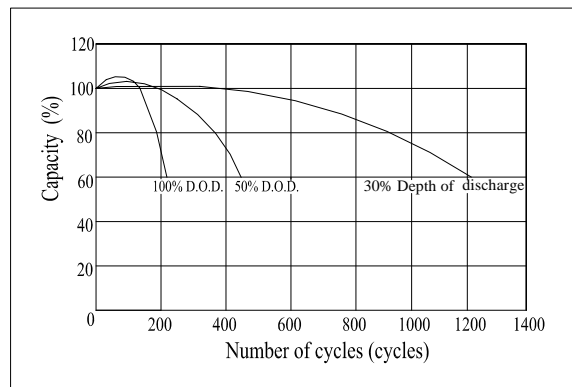
Nominal Voltage		12 V
Capacity(10HR, 25°C)		30 Ah
Dimension	Length	195mm +/- 1mm
	Width	130mm +/- 1mm
	Height	159mm +/- 1mm
	Total Height	180mm +/- 1mm
Approx. Weight		10.2kg
Internal resistance (Fully charged, 25°C)		Approx. 10mΩ
Capacity affected by temperature (10HR)	40°C	102%
	25°C	100%
	0°C	85%
	-15°C	65%
Self-discharge (25°C)	3 month	Remaining Capacity: 91%
	6 month	Remaining Capacity: 82%
	12 month	Remaining Capacity: 65%
Nominal operating temperature		25°C±3°C
Operating temperature range		-15°C-50°C
Float charging voltage(25°C)		13.50 to 13.80V
Cyclic charging voltage(25°C)		14.50 to 14.90V
Maximum charging current		9A
Terminal material		Lead
Maximum discharge current		300A(5 sec.)

- Absorbent glass mat technology;
- Recognized by UL & CE;
- Flame retardant ABS container (UL94V-0/ 94V-2).

**Charging Characteristics(25°C)**



**Cycle Life(25°C)**



Note: Floating life at 25°C designed for 7 to 10 years.

**Constant Current Discharge Characteristics (A, 25°C)**

F.V/TIME	5min	10min	15min	30min	60min	3h	5h	10h	20h
9.60V	94.5	63.0	49.5	31.2	18.9	7.76	5.48	3.05	1.60
10.2V	89.8	59.9	47.5	30.0	18.1	7.65	5.40	3.02	1.58
10.8V	84.4	56.3	45.1	28.5	17.2	7.50	5.29	3.00	1.58

**Constant Power Discharge Characteristics (Watt, 25°C)**

F.V/TIME	5min	10min	15min	30min	60min	3h	5h	10h	20h
9.60V	992	680	544	350	215	91.3	64.8	36.4	19.2
10.2V	943	646	522	336	207	90.0	63.8	36.0	19.0
10.8V	886	608	496	319	196	88.2	62.6	36.0	18.9