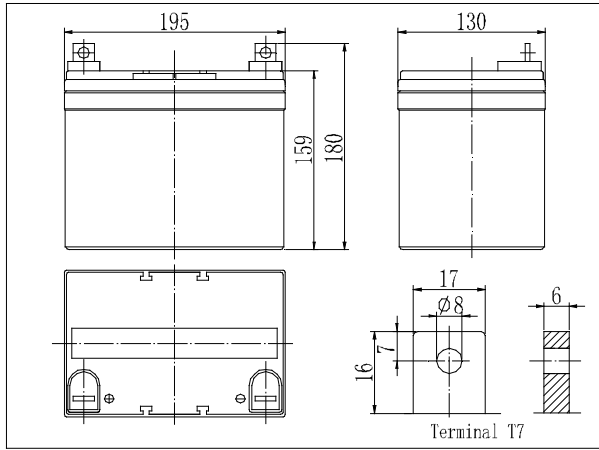
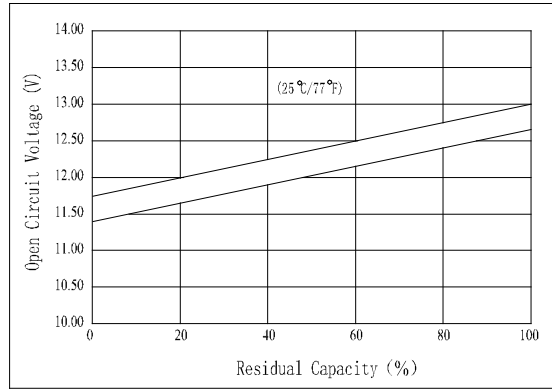


**Dimensions**



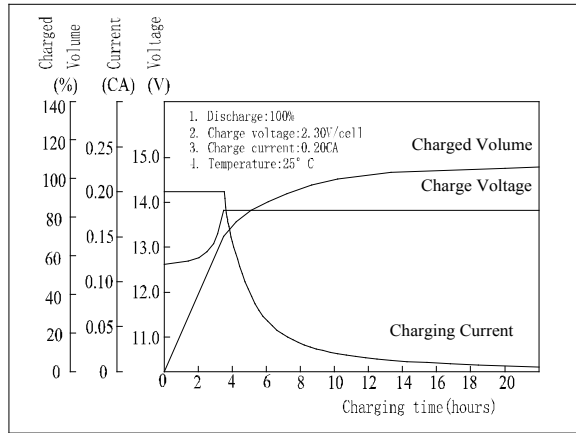
**The Relationship for Open Circuit Voltage and Residual Capacity (25°C)**



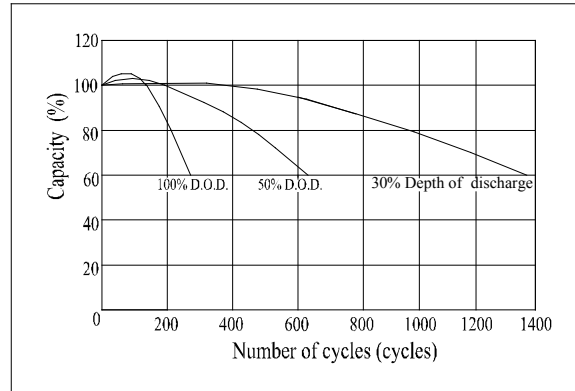
**Specifications**

|   |              |                         |
|---|--------------|-------------------------|
| Nominal Voltage                           |              | 12 V                    |
| Capacity(10HR, 25°C)                      |              | 33 Ah                   |
| Dimension                                 | Length       | 195mm                   |
|   | Width        | 130mm                   |
|   | Height       | 159mm                   |
|   | Total Height | 180mm                   |
| Approx. Weight                            |              | 10kg                    |
| Internal resistance (Fully charged, 25°C) |              | Approx. 10.2m           |
| Capacity affected by temperature (10HR)   | 40°C         | 102%                    |
|   | 25°C         | 100%                    |
|   | 0°C          | 85%                     |
|   | -15°C        | 65%                     |
| Self-discharge (25°C)                     | 3 month      | Remaining Capacity: 91% |
|   | 6 month      | Remaining Capacity: 82% |
|   | 12 month     | Remaining Capacity: 65% |
| Nominal operating temperature             |              | 25°C±3°C                |
| Operating temperature range               |              | -15°C-50°C              |
| Float charging voltage(25°C)              |              | 13.50 to 13.80V         |
| Cyclic charging voltage(25°C)             |              | 14.50 to 14.90V         |
| Maximum charging current                  |              | 9.9A                    |
| Terminal material                         |              | Lead                    |
| Maximum discharge current                 |              | 330A(5 sec.)            |

**Charging Characteristics(25°C)**



**Cycle Life(25°C)**



Note: Floating life at 20°C designed for 7 to 10 years.

- Absorbent glass mat technology;
- Recognized by UL & CE;
- ABS container.

**Constant Current Discharge Characteristics (A, 25°C)**

| F.V/TIME | 5min | 10min | 15min | 30min | 60min | 3h   | 5h   | 10h  | 20h  |
|----------|------|-------|-------|-------|-------|------|------|------|------|
| 9.60V    | 106  | 70.7  | 55.0  | 34.7  | 21.0  | 8.54 | 6.03 | 3.35 | 1.76 |
| 10.2V    | 101  | 67.2  | 52.8  | 33.3  | 20.2  | 8.42 | 5.94 | 3.32 | 1.74 |
| 10.8V    | 94.7 | 63.1  | 50.2  | 31.6  | 19.2  | 8.25 | 5.82 | 3.30 | 1.73 |

**Constant Power Discharge Characteristics (Watt, 25°C)**

| F.V/TIME | 5min | 10min | 15min | 30min | 60min | 3h   | 5h   | 10h  | 20h  |
|----------|------|-------|-------|-------|-------|------|------|------|------|
| 9.60V    | 1113 | 763   | 604   | 389   | 239   | 100  | 71.3 | 40.0 | 21.1 |
| 10.2V    | 1058 | 725   | 580   | 373   | 230   | 99.0 | 70.2 | 39.6 | 20.9 |
| 10.8V    | 994  | 682   | 551   | 355   | 218   | 97.0 | 68.8 | 39.6 | 20.8 |