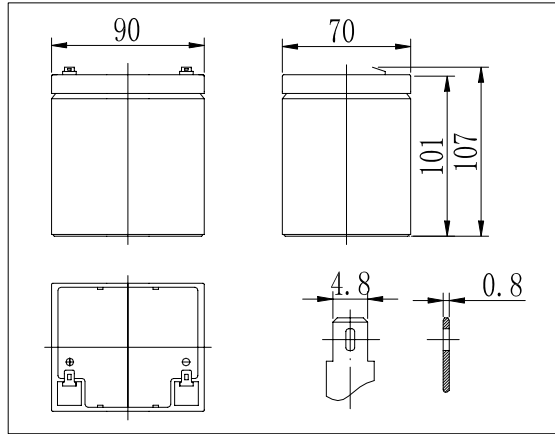
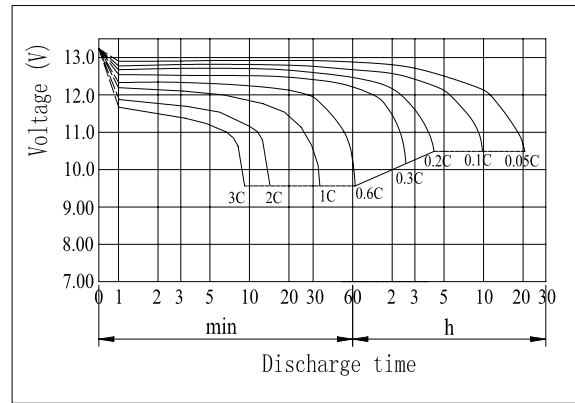


Dimensions



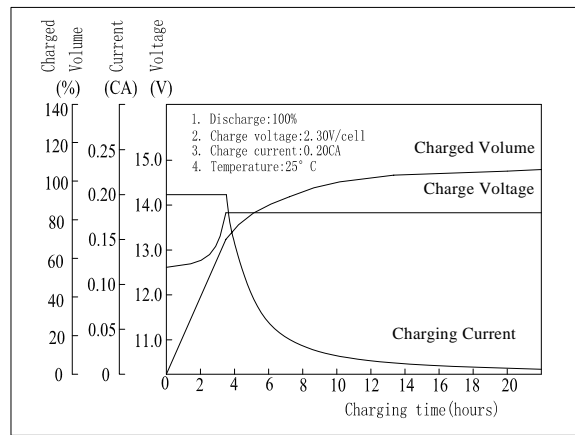
Discharge Characteristics(25°C)



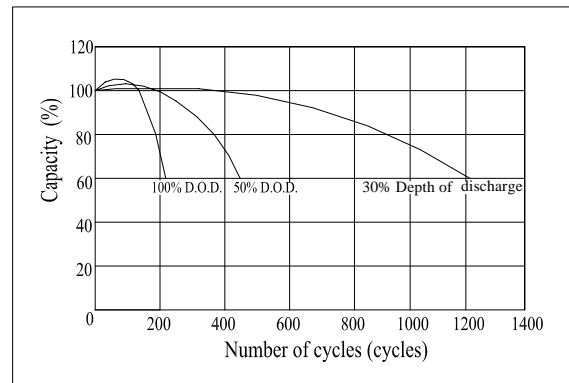
Specifications

Nominal Voltage		12 V
Capacity(20HR, 25°C)		4.5 Ah
Dimension	Length	90mm +/- 1mm
	Width	70mm +/- 1mm
	Height	101mm +/- 1mm
	Total Height	107mm +/- 1mm
Approx. Weight		1.57kg
Internal resistance (Fully charged, 25°C)		Approx. 50mΩ
Capacity affected by temperature (20HR)	40°C	102%
	25°C	100%
	0°C	85%
	-15°C	65%
Self-discharge (25°C)	3 month	Remaining Capacity: 91%
	6 month	Remaining Capacity: 82%
	12 month	Remaining Capacity: 65%
Nominal operating temperature		25°C±3°C
Operating temperature range		-15°C-50°C
Float charging voltage(25°C)		13.60 to 13.80V
Cyclic charging voltage(25°C)		14.50 to 14.90V
Maximum charging current		1.8A
Terminal material		Copper
Maximum discharge current		68A(5 sec.)

Charging Characteristics(25°C)



Cycle Life(25°C)



- Absorbent glass mat technology;
- Recognized by UL & CE;
- Flame retardant ABS container (UL94V-0/ 94V-2).

Note: Floating life at 25°C designed for 3 to 5 years.

Constant Current Discharge Characteristics (A, 25°C)

F.V/TIME	5min	10min	15min	30min	60min	3h	5h	10h	20h
9.60V	17.1	10.8	8.55	4.95	2.93	1.14	0.78	0.42	0.23
10.2V	16.2	10.3	8.21	4.75	2.81	1.13	0.77	0.42	0.23
10.8V	15.3	9.64	7.80	4.51	2.67	1.10	0.75	0.41	0.23

Constant Power Discharge Characteristics (Watt, 25°C)

F.V/TIME	5min	10min	15min	30min	60min	3h	5h	10h	20h
9.60V	191	122	97.5	56.7	33.9	13.6	9.27	5.04	2.74
10.2V	181	116	93.6	54.5	32.5	13.4	9.13	5.00	2.72
10.8V	170	109	88.9	51.7	30.9	13.10	8.95	5.00	2.70