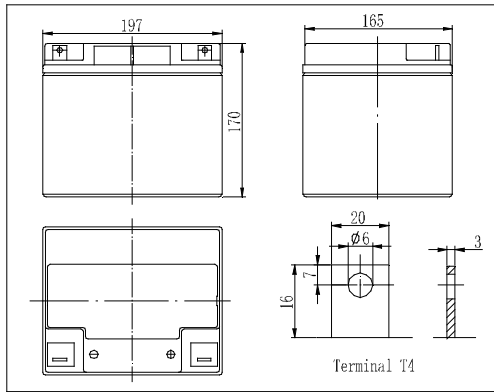


Dimensions



Specifications

Nominal Voltage		12 V
Capacity(10HR, 25°C)		40Ah
Dimension	Length	197mm
	Width	165mm
	Height	170mm
	Total Height	170mm
Approx. Weight		13.5kg
Internal resistance (Fully charged, 25°C)		Approx. 9.5m
Capacity affected by temperature (10HR)	40°C	102%
	25°C	100%
	0°C	85%
	-15°C	65%
Self-discharge (25°C)	3 month	Remaining Capacity: 91%
	6 month	Remaining Capacity: 82%
	12 month	Remaining Capacity: 65%
Nominal operating temperature		25°C±3°C
Operating temperature range		-15°C-50°C
Float charging voltage(25°C)		13.50 to 13.80V
Cyclic charging voltage(25°C)		14.50 to 14.90V
Maximum charging current		12A
Terminal material		Copper
Maximum discharge current		400A(5 sec.)

- Absorbent glass mat technology;
- Recognized by UL & CE;
- ABS container.

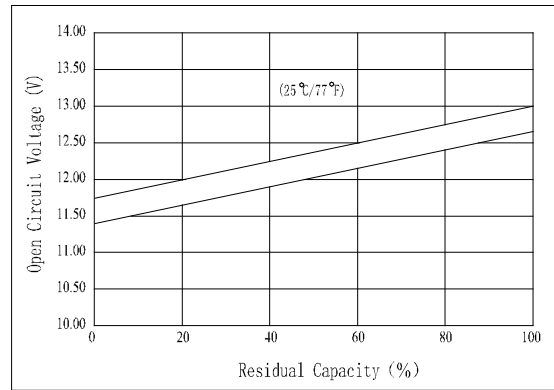
Constant Current Discharge Characteristics (A, 25°C)

F.V/TIME	5min	10min	15min	30min	60min	3h	5h	10h	20h
9.60V	129	85.7	67	42	25.5	10.4	7.31	4.06	2.13
10.2V	122	81.4	64	40	24.4	10.2	7.20	4.02	2.11
10.8V	115	76.5	61	38.3	23.2	10.0	7.06	4.00	2.10

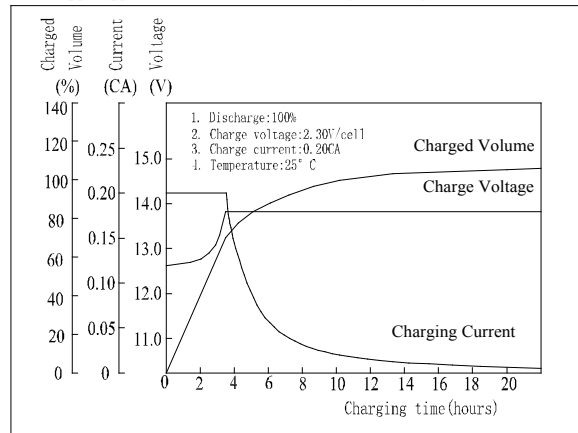
Constant Power Discharge Characteristics (Watt, 25°C)

F.V/TIME	5min	10min	15min	30min	60min	3h	5h	10h	20h
9.60V	1349	925	732	471	290	122	86.4	48.5	25.6
10.2V	1282	879	703	453	279	120	85.1	48.0	25.4
10.8V	1205	826	668	430	265	118	83.4	48.0	25.2

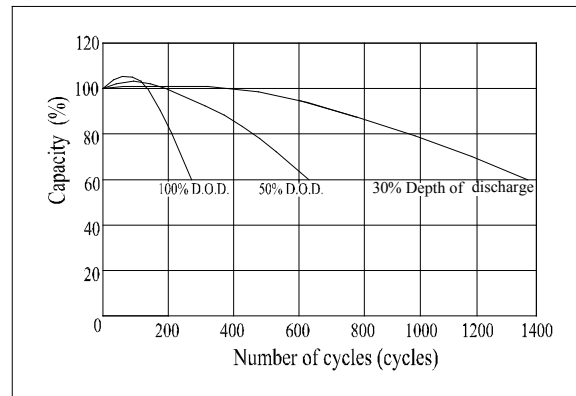
The Relationship for Open Circuit Voltage and Residual Capacity (25°C)



Charging Characteristics(25°C)



Cycle Life(25°C)



Note: Floating life at 20°C designed for 7 to 10 years.