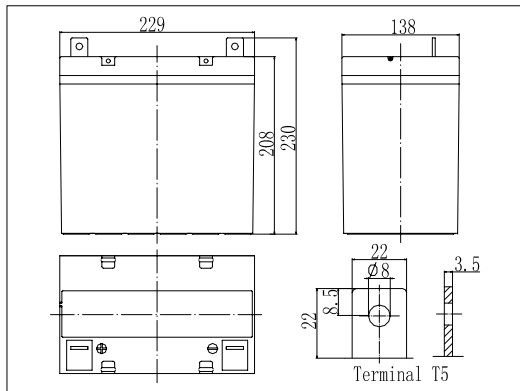
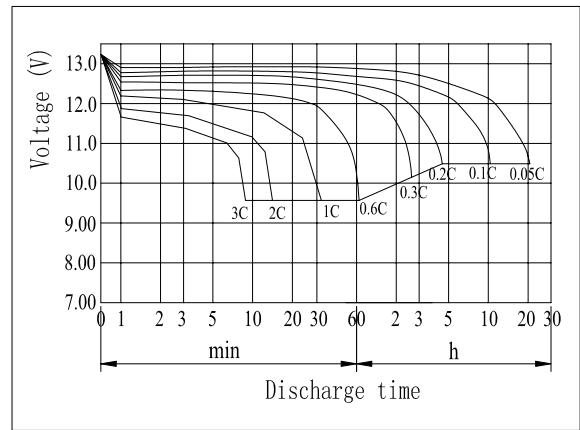


Dimensions



Discharge Characteristics (25°C)

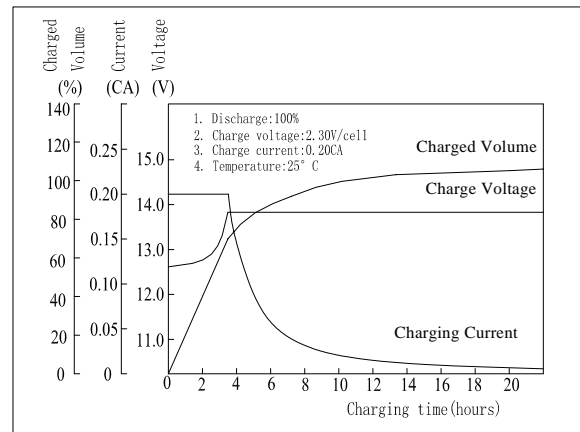


Specifications

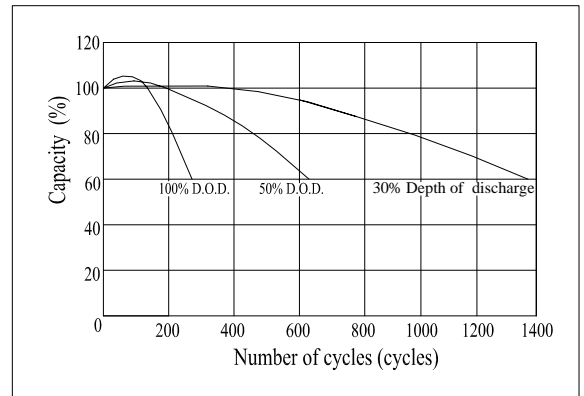
| | | |
|---|--------------|-------------------------|
| Nominal Voltage | | 12 V |
| Capacity(10HR, 25°C) | | 50Ah |
| Dimension | Length | 229mm |
| | Width | 138mm |
| | Height | 208mm |
| | Total Height | 230mm |
| Approx. Weight | | 18.0kg |
| Internal resistance (Fully charged, 25°C) | | Approx. 6.2mΩ |
| Capacity affected by temperature (10HR) | 40°C | 102% |
| | 25°C | 100% |
| | 0°C | 85% |
| | -15°C | 65% |
| Self-discharge (25°C) | 3 month | Remaining Capacity: 91% |
| | 6 month | Remaining Capacity: 82% |
| | 12 month | Remaining Capacity: 65% |
| Nominal operating temperature | | 25°C ± 3°C |
| Operating temperature range | | -15°C - 50°C |
| Float charging voltage(25°C) | | 13.50 to 13.80V |
| Cyclic charging voltage(25°C) | | 14.50 to 14.90V |
| Maximum charging current | | 15A |
| Terminal material | | Copper |
| Maximum discharge current | | 500A (5 sec.) |

- Absorbent glass mat technology;
- Recognized by UL & CE;
- Flame retardant ABS container (UL94V-0/ 94V-2).

Charging Characteristics (25°C)



Cycle Life (25°C)



Note: Floating life at 20°C designed for 7 to 10 years.

Constant Current Discharge Characteristics (A, 25°C)

| F.V/TIME | 5min | 10min | 15min | 30min | 60min | 3h | 5h | 10h | 20h |
|----------|------|-------|-------|-------|-------|------|------|------|------|
| 9.60V | 161 | 107 | 83.3 | 52.5 | 31.8 | 12.9 | 9.14 | 5.08 | 2.66 |
| 10.2V | 153 | 102 | 80.0 | 50.4 | 30.5 | 12.8 | 9.00 | 5.03 | 2.64 |
| 10.8V | 143 | 95.6 | 76.0 | 47.9 | 29.0 | 12.5 | 8.82 | 5.00 | 2.63 |

Constant Power Discharge Characteristics (Watt, 25°C)

| F.V/TIME | 5min | 10min | 15min | 30min | 60min | 3h | 5h | 10h | 20h |
|----------|------|-------|-------|-------|-------|-----|-----|------|------|
| 9.60V | 1687 | 1157 | 915 | 589 | 363 | 152 | 108 | 60.6 | 32.0 |
| 10.2V | 1602 | 1099 | 878 | 566 | 348 | 150 | 106 | 60.1 | 31.7 |
| 10.8V | 1506 | 1033 | 834 | 537 | 331 | 147 | 104 | 60.1 | 31.5 |