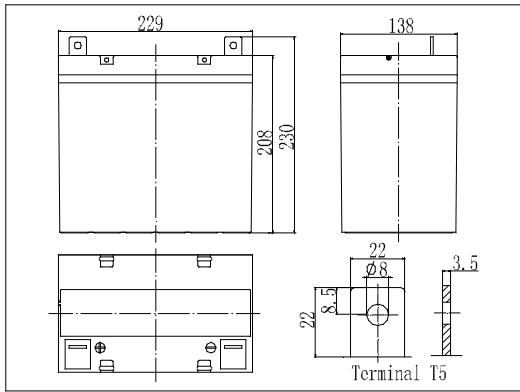


**Dimensions**



**Specifications**

Nominal Voltage		12 V
Capacity(10HR, 25°C)		55Ah
Dimension	Length	229mm
	Width	138mm
	Height	208mm
	Total Height	230mm
Approx. Weight		19.5kg
Internal resistance (Fully charged, 25°C)		Approx. 5.8m
Capacity affected by temperature (10HR)	40°C	102%
	25°C	100%
	0°C	85%
	-15°C	65%
Self-discharge (25°C)	3 month	Remaining Capacity: 91%
	6 month	Remaining Capacity: 82%
	12 month	Remaining Capacity: 65%
Nominal operating temperature		25°C±3°C
Operating temperature range		-15°C-50°C
Float charging voltage(25°C)		13.50 to 13.80V
Cyclic charging voltage(25°C)		14.50 to 14.90V
Maximum charging current		16.5A
Terminal material		Copper
Maximum discharge current		550A(5 sec.)

- Absorbent glass mat technology;
- Recognized by UL & CE;
- ABS container.

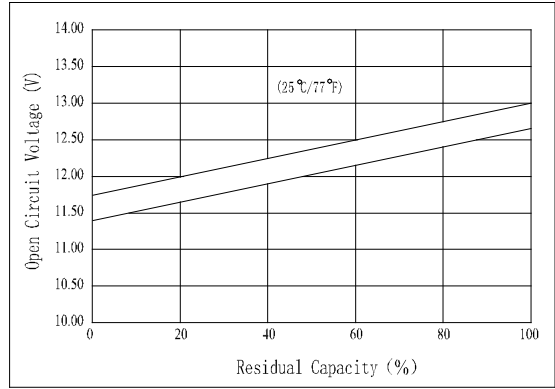
**Constant Current Discharge Characteristics (A, 25°C)**

F.V/TIME	5min	10min	15min	30min	60min	3h	5h	10h	20h
9.60V	177	118	91.7	57.8	35.0	14.2	10.0	5.58	2.93
10.2V	168	112	88.0	55.5	33.6	14.0	9.90	5.53	2.90
10.8V	158	105	83.6	52.7	31.9	13.7	9.70	5.50	2.89

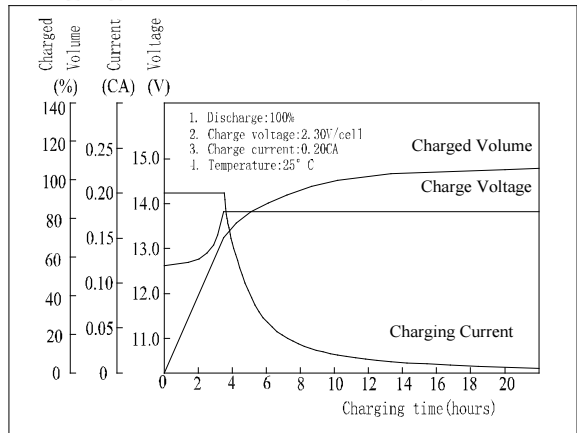
**Constant Power Discharge Characteristics (Watt, 25°C)**

F.V/TIME	5min	10min	15min	30min	60min	3h	5h	10h	20h
9.60V	1856	1272	1006	648	399	167	119	66.7	35.2
10.2V	1763	1209	966	622	383	165	117	66.1	34.9
10.8V	1657	1136	918	591	364	162	115	66.1	34.7

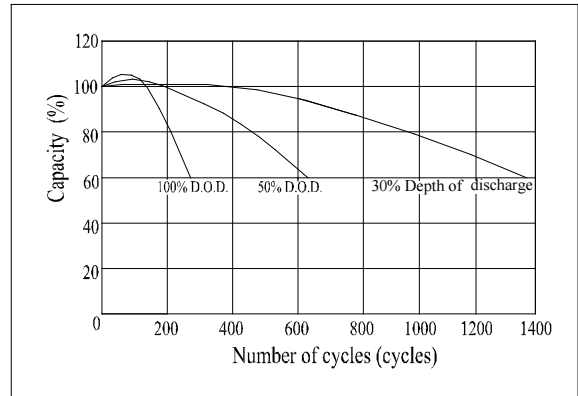
**The Relationship for Open Circuit Voltage and Residual Capacity (25°C)**



**Charging Characteristics(25°C)**



**Cycle Life(25°C)**



Note: Floating life at 20°C designed for 7 to 10 years.