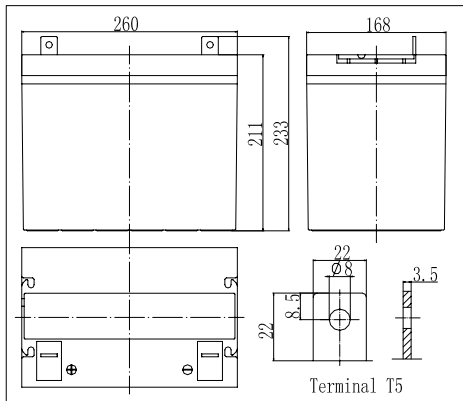
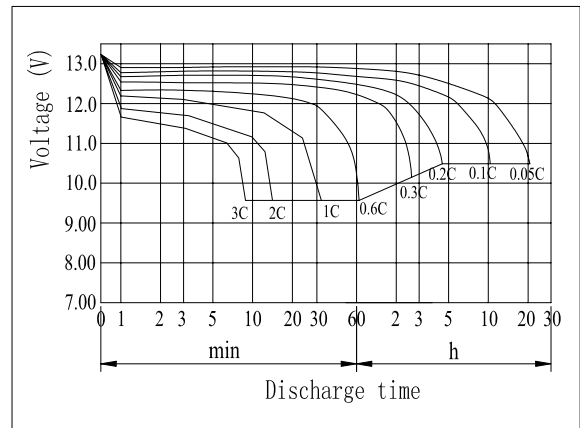


Dimensions



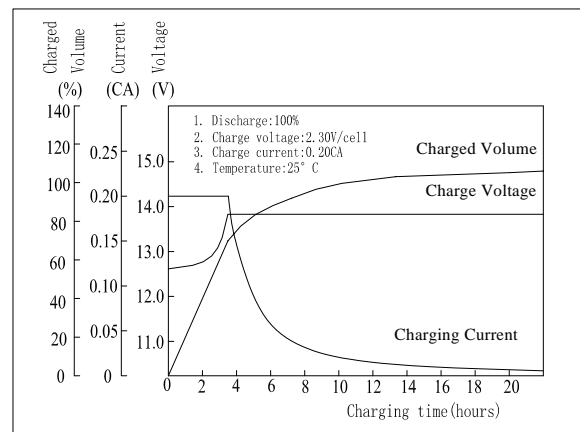
Discharge Characteristics(25°C)



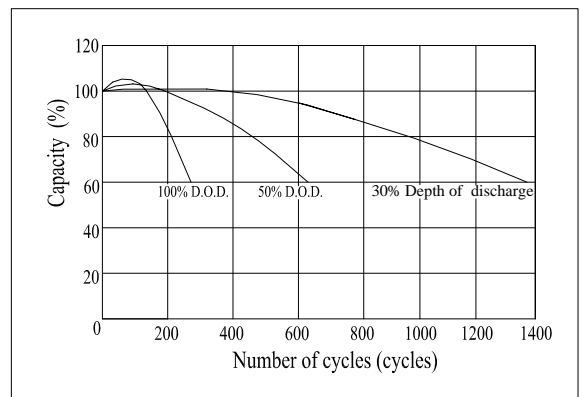
Specifications

Nominal Voltage	12 V	
Capacity (10HR, 25°C)	56Ah	
Dimension	Length	260mm
	Width	168mm
	Height	211mm
	Total Height	233mm
Approx. Weight	20.0kg	
Internal resistance (Fully charged, 25°C)	Approx.5.7mΩ	
Capacity affected by temperature (10HR)	40°C	102%
	25°C	100%
	0°C	85%
	-15°C	65%
Self-discharge (25°C)	3 month	Remaining Capacity: 91%
	6 month	Remaining Capacity: 82%
	12 month	Remaining Capacity: 65%
Nominal operating temperature	25°C ± 3°C	
Operating temperature range	-15°C - 50°C	
Float charging voltage (25°C)	13.50 to 13.80V	
Cyclic charging voltage (25°C)	14.50 to 14.90V	
Maximum charging current	16.8A	
Terminal material	Copper	
Maximum discharge current	560A (5 sec.)	

Charging Characteristics(25°C)



Cycle Life(25°C)



Note: Floating life at 20°C designed for 7 to 10 years.

- Absorbent glass mat technology;
- Recognized by UL & CE;
- Flame retardant ABS container (UL94V-0/ 94V-2).

Constant Current Discharge Characteristics (A, 25°C)

F.V/TIME	5min	10min	15min	30min	60min	3h	5h	10h	20h
9.60V	180	120	93.3	58.8	35.6	14.5	10.2	5.68	2.98
10.2V	171	114	89.6	56.5	34.2	14.3	10.1	5.63	2.96
10.8V	161	107	85.1	53.6	32.5	14.0	9.88	5.60	2.94

Constant Power Discharge Characteristics (Watt, 25°C)

F.V/TIME	5min	10min	15min	30min	60min	3h	5h	10h	20h
9.60V	1889	1295	1025	660	406	170	121	67.9	35.8
10.2V	1795	1231	984	634	390	168	119	67.3	35.5
10.8V	1687	1157	935	602	370	165	117	67.3	35.3