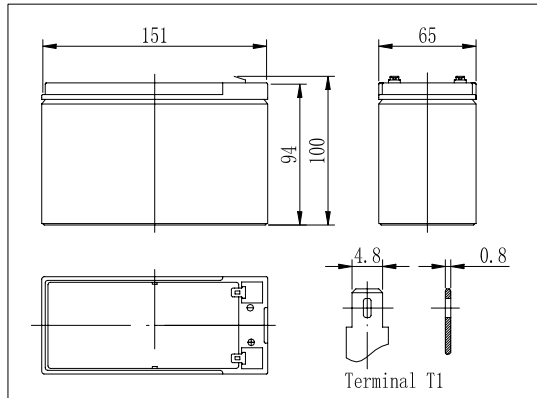
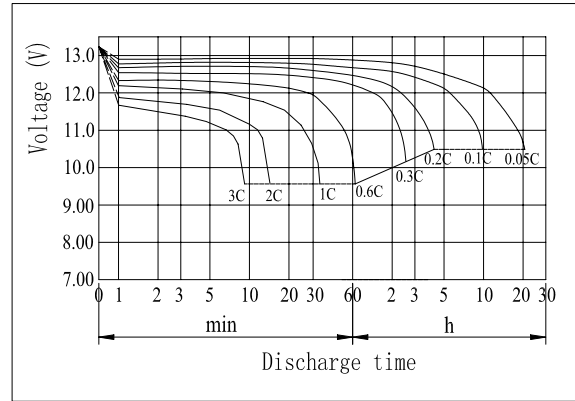


Dimensions



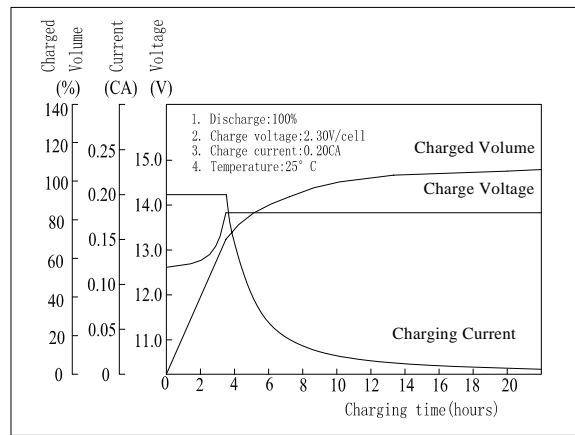
Discharge Characteristics(25°C)



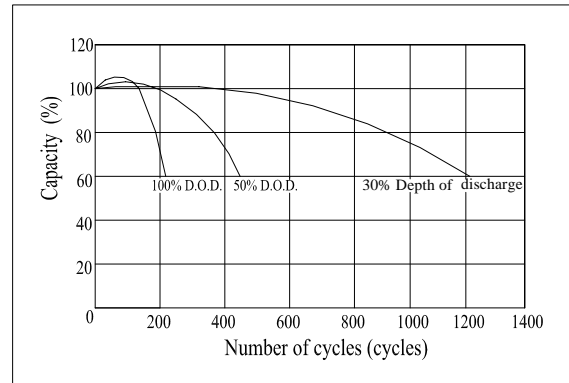
Specifications

Nominal Voltage		12 V
Capacity(20HR, 25°C)		7.2 Ah
Dimension	Length	151mm +/- 1mm
	Width	65mm +/- 1mm
	Height	94mm +/- 1mm
	Total Height	100mm +/- 1mm
Approx. Weight		2.37kg
Internal resistance (Fully charged, 25°C)		Approx. 25mΩ
Capacity affected by temperature (20HR)	40°C	102%
	25°C	100%
	0°C	85%
	-15°C	65%
Self-discharge (25°C)	3 month	Remaining Capacity: 91%
	6 month	Remaining Capacity: 82%
	12 month	Remaining Capacity: 65%
Nominal operating temperature		25°C±3°C
Operating temperature range		-15°C-50°C
Float charging voltage(25°C)		13.60 to 13.80V
Cyclic charging voltage(25°C)		14.50 to 14.90V
Maximum charging current		2.88A
Terminal material		Copper
Maximum discharge current		108A(5 sec.)

Charging Characteristics(25°C)



Cycle Life(25°C)



- Absorbent glass mat technology;
- Recognized by UL & CE;
- Flame retardant ABS container (UL94V-0/ 94V-2).

Note: Floating life at 25°C designed for 3 to 5 years.

Constant Current Discharge Characteristics (A, 25°C)

F.V/TIME	5min	10min	15min	30min	60min	3h	5h	10h	20h
9.60V	27.4	17.3	13.7	7.92	4.68	1.83	1.24	0.67	0.37
10.2V	26.0	16.4	13.1	7.60	4.49	1.80	1.22	0.67	0.36
10.8V	24.4	15.4	12.5	7.22	4.27	1.76	1.20	0.66	0.36

Constant Power Discharge Characteristics (Watt, 25°C)

F.V/TIME	5min	10min	15min	30min	60min	3h	5h	10h	20h
9.60V	305	195	156	90.8	54.2	21.7	14.8	8.07	4.38
10.2V	290	185	150	87.1	52.0	21.4	14.6	8.00	4.35
10.8V	273	174	142	82.8	49.4	21.0	14.3	8.00	4.32