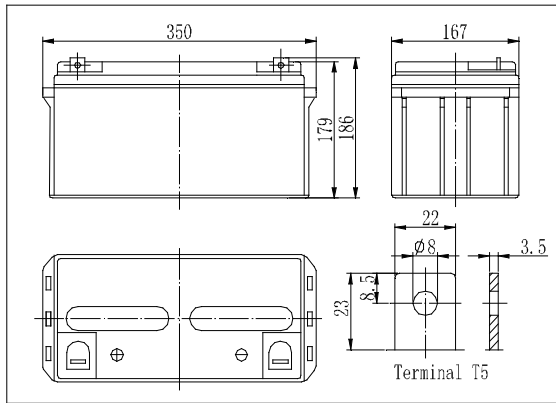
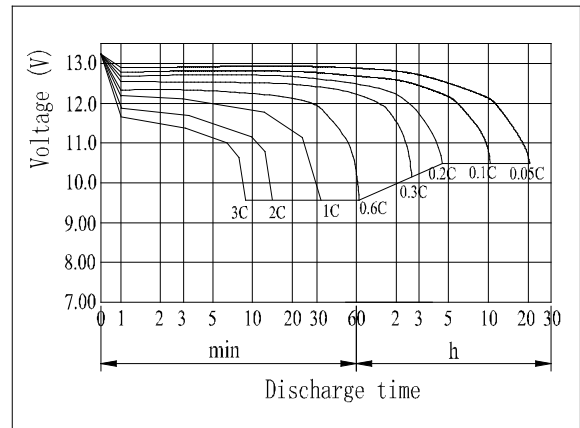


Dimensions



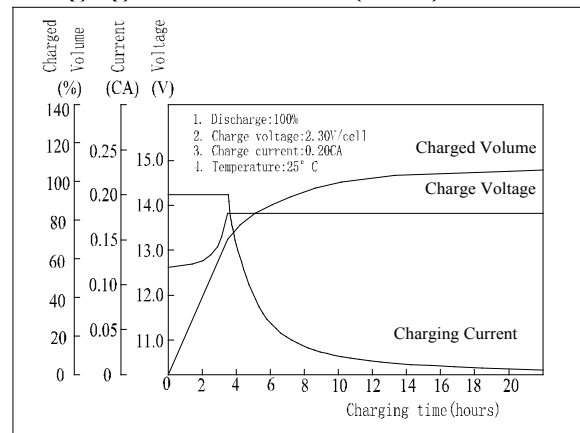
Discharge Characteristics (25°C)



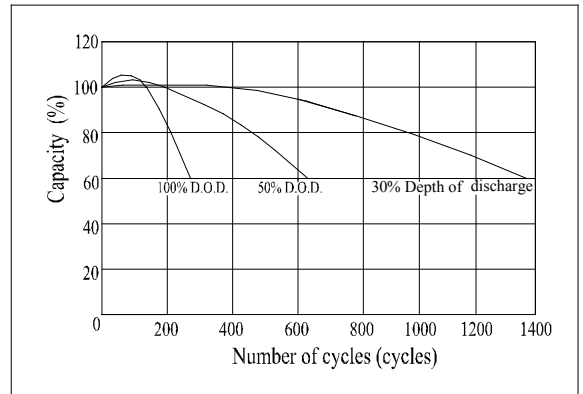
Specifications

Nominal Voltage		12 V
Capacity (10HR, 25°C)		70 Ah
Dimension	Length	350mm
	Width	167mm
	Height	179mm
	Total Height	186mm
Approx. Weight		22.5kg
Internal resistance (Fully charged, 25°C)		Approx. 5.8m
Capacity affected by temperature (10HR)	40°C	102%
	25°C	100%
	0°C	85%
	-15°C	65%
Self-discharge (25°C)	3 month	Remaining Capacity: 91%
	6 month	Remaining Capacity: 82%
	12 month	Remaining Capacity: 65%
Nominal operating temperature		25°C ± 3°C
Operating temperature range		-15°C – 50°C
Float charging voltage (25°C)		13.50 to 13.80V
Cyclic charging voltage (25°C)		14.50 to 14.90V
Maximum charging current		21A
Terminal material		Copper
Maximum discharge current		700A (5 sec.)

Charging Characteristics (25°C)



Cycle Life (25°C)



Note: Floating life at 20°C designed for 7 to 10 years.

- Absorbent glass mat technology;
- Recognized by UL & CE;
- Flame retardant ABS container (UL94V-0/ 94V-2).

Constant Current Discharge Characteristics (A, 25°C)

F.V/TIME	5min	10min	15min	30min	60min	3h	5h	10h	20h
9.60V	225	150	117	73.5	44.5	18.1	12.8	7.11	3.73
10.2V	214	142	112	70.6	42.8	17.9	12.6	7.04	3.70
10.8V	201	134	106	67.1	40.6	17.5	12.3	7.00	3.68

Constant Power Discharge Characteristics (Watt, 25°C)

F.V/TIME	5min	10min	15min	30min	60min	3h	5h	10h	20h
9.60V	2362	1619	1281	825	508	213	151	84.8	44.8
10.2V	2243	1538	1230	792	487	210	149	84.1	44.4
10.8V	2109	1446	1168	752	463	206	146	84.1	44.1