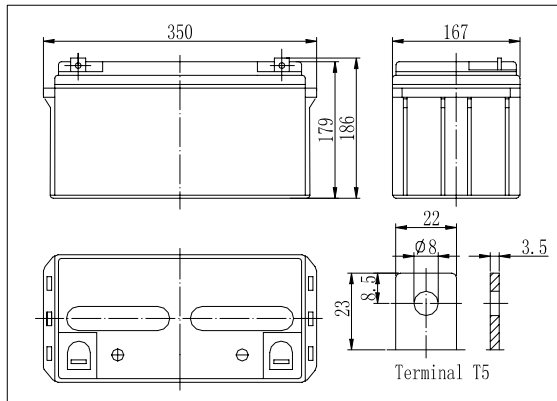
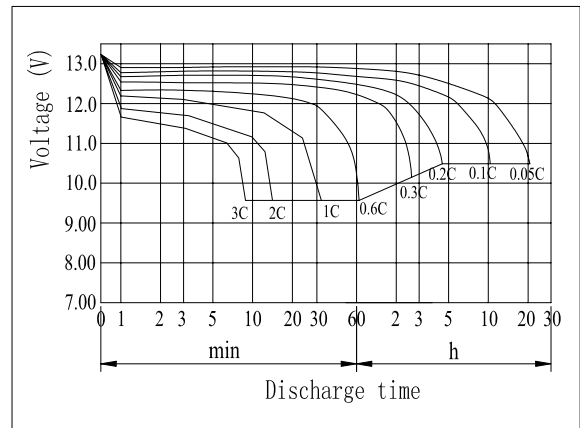


Dimensions



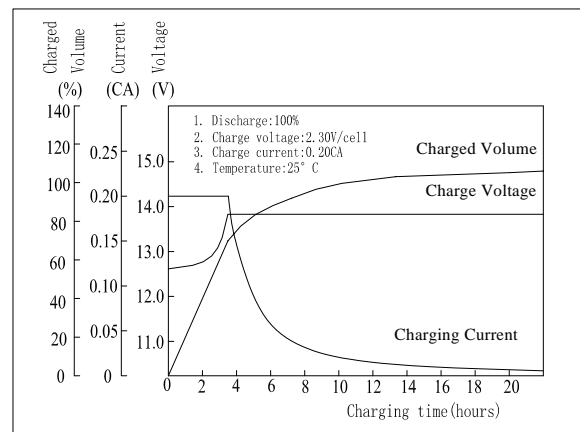
Discharge Characteristics (25°C)



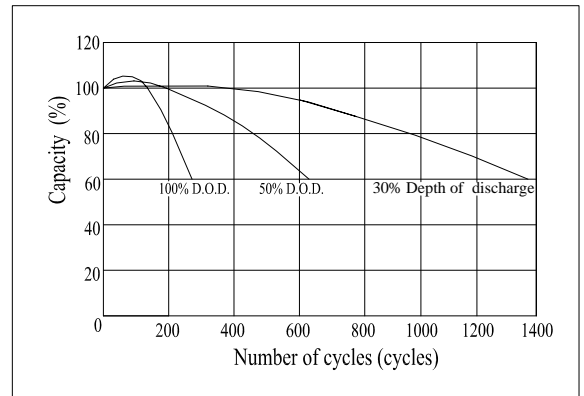
Specifications

Nominal Voltage	12 V	
Capacity (10HR, 25°C)	75 Ah	
Dimension	Length	350mm
	Width	167mm
	Height	179mm
	Total Height	186mm
Approx. Weight	24kg	
Internal resistance (Fully charged, 25°C)	Approx.5.5mΩ	
Capacity affected by temperature (10HR)	40°C	102%
	25°C	100%
	0°C	85%
	-15°C	65%
Self-discharge (25°C)	3 month	Remaining Capacity: 91%
	6 month	Remaining Capacity: 82%
	12 month	Remaining Capacity: 65%
Nominal operating temperature	25°C ± 3°C	
Operating temperature range	-15°C – 50°C	
Float charging voltage(25°C)	13.50 to 13.80V	
Cyclic charging voltage(25°C)	14.50 to 14.90V	
Maximum charging current	22.5A	
Terminal material	Copper	
Maximum discharge current	750A (5 sec.)	

Charging Characteristics (25°C)



Cycle Life (25°C)



- Absorbent glass mat technology;
- Recognized by UL & CE;
- Flame retardant ABS container (UL94V-0/ 94V-2).

Note: Floating life at 20□ designed for 7 to 10 years.

Constant Current Discharge Characteristics (A, 25°C)

F.V/TIME	5min	10min	15min	30min	60min	3h	5h	10h	20h
9.60V	241	161	125	78.8	47.7	19.4	13.7	7.61	4.00
10.2V	229	153	120	75.6	45.8	19.1	13.5	7.55	3.96
10.8V	215	143	114	71.8	43.5	18.7	13.2	7.50	3.94

Constant Power Discharge Characteristics (Watt, 25°C)

F.V/TIME	5min	10min	15min	30min	60min	3h	5h	10h	20h
9.60V	2530	1735	1372	884	544	228	162	90.9	48.0
10.2V	2404	1648	1317	849	522	225	160	90.1	47.5
10.8V	2260	1549	1252	806	496	220	156	90.1	47.3