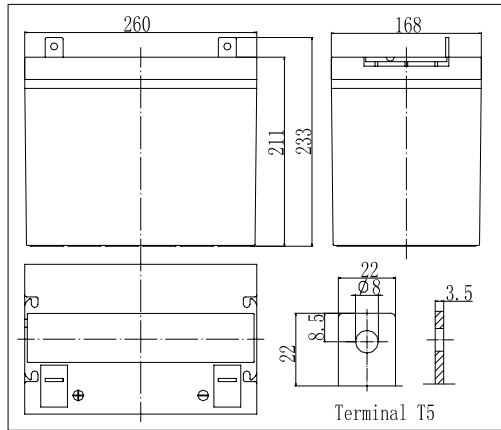
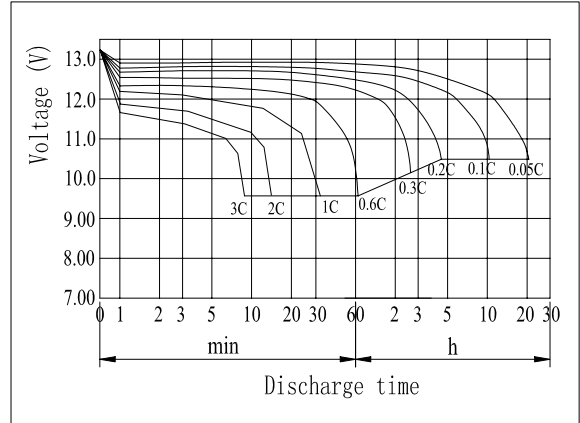


Dimensions



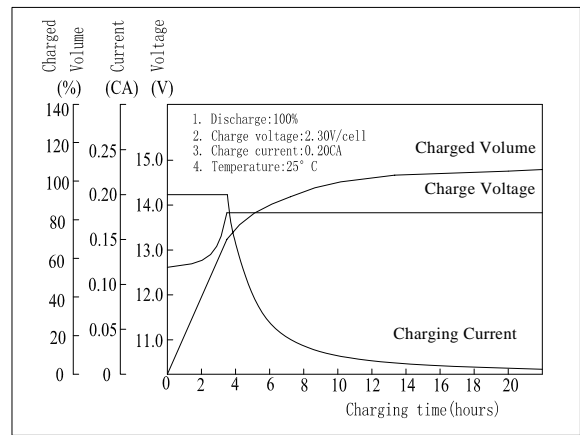
Discharge Characteristics (25°C)



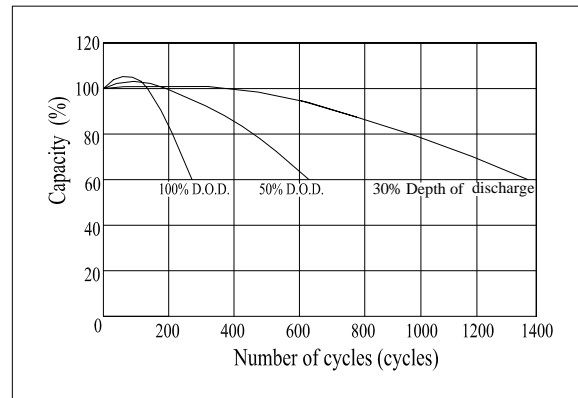
Specifications

| | | |
|---|--------------|-------------------------|
| Nominal Voltage | | 12 V |
| Capacity (10HR, 25°C) | | 80Ah |
| Dimension | Length | 260mm |
| | Width | 168mm |
| | Height | 211mm |
| | Total Height | 233mm |
| Approx. Weight | | 25.5kg |
| Internal resistance (Fully charged, 25°C) | | Approx .5.1mΩ |
| Capacity affected by temperature (10HR) | 40°C | 102% |
| | 25°C | 100% |
| | 0°C | 85% |
| | -15°C | 65% |
| Self-discharge (25°C) | 3 month | Remaining Capacity: 91% |
| | 6 month | Remaining Capacity: 82% |
| | 12 month | Remaining Capacity: 65% |
| Nominal operating temperature | | 25°C ± 3°C |
| Operating temperature range | | -15°C - 50°C |
| Float charging voltage(25°C) | | 13.50 to 13.80V |
| Cyclic charging voltage(25°C) | | 14.50 to 14.90V |
| Maximum charging current | | 24A |
| Terminal material | | Copper |
| Maximum discharge current | | 800A(5 sec.) |

Charging Characteristics (25°C)



Cycle Life (25°C)



Note: Floating life at 20°C designed for 7 to 10 years.

- Absorbent glass mat technology;
- Recognized by UL & CE;
- Flame retardant ABS container (UL94V-0/ 94V-2).

Constant Current Discharge Characteristics (A, 25°C)

| F.V/TIME | 5min | 10min | 15min | 30min | 60min | 3h | 5h | 10h | 20h |
|----------|------|-------|-------|-------|-------|------|------|------|------|
| 9.60V | 257 | 171 | 133 | 84.0 | 50.9 | 20.7 | 14.6 | 8.12 | 4.26 |
| 10.2V | 244 | 163 | 128 | 80.7 | 48.9 | 20.4 | 14.4 | 8.05 | 4.23 |
| 10.8V | 230 | 153 | 122 | 76.6 | 46.4 | 20.0 | 14.1 | 8.00 | 4.20 |

Constant Power Discharge Characteristics (Watt, 25°C)

| F.V/TIME | 5min | 10min | 15min | 30min | 60min | 3h | 5h | 10h | 20h |
|----------|------|-------|-------|-------|-------|-----|-----|------|------|
| 9.60V | 2699 | 1851 | 1464 | 943 | 580 | 244 | 173 | 97.0 | 51.2 |
| 10.2V | 2564 | 1758 | 1405 | 905 | 557 | 240 | 170 | 96.1 | 50.7 |
| 10.8V | 2410 | 1653 | 1335 | 860 | 529 | 235 | 167 | 96.1 | 50.4 |