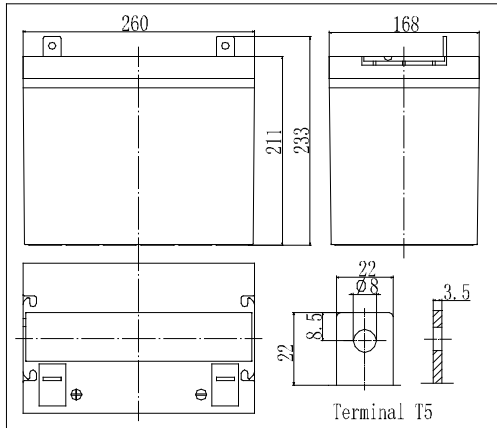
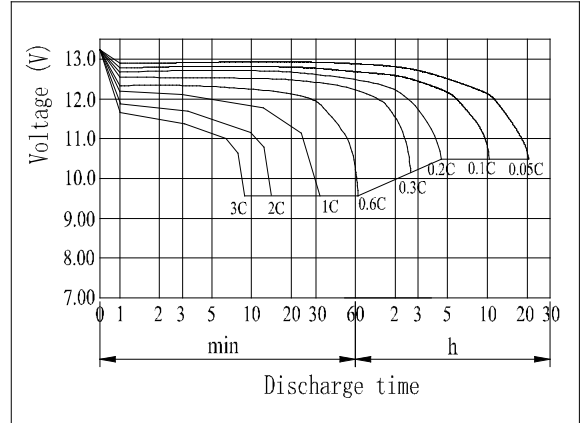


Dimensions



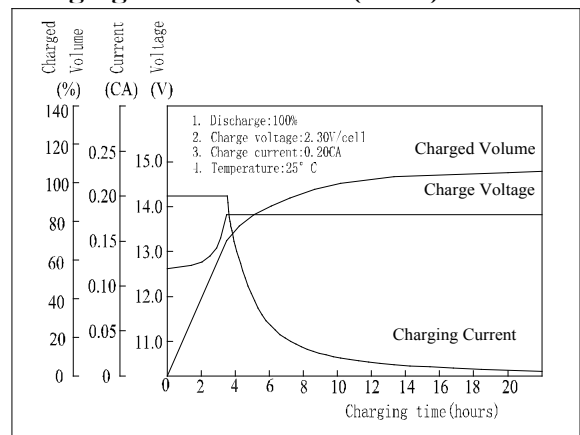
Discharge Characteristics (25°C)



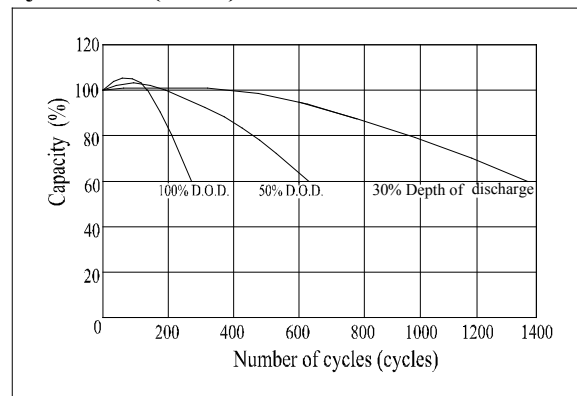
Specifications

Nominal Voltage		12 V
Capacity (10HR, 25°C)		80Ah
Dimension	Length	260mm
	Width	168mm
	Height	211mm
	Total Height	233mm
Approx. Weight		25.5kg
Internal resistance (Fully charged, 25°C)		Approx .5.1m
Capacity affected by temperature (10HR)	40°C	102%
	25°C	100%
	0°C	85%
	-15°C	65%
Self-discharge (25°C)	3 month	Remaining Capacity: 91%
	6 month	Remaining Capacity: 82%
	12 month	Remaining Capacity: 65%
Nominal operating temperature		25°C ± 3°C
Operating temperature range		-15°C - 50°C
Float charging voltage(25°C)		13.50 to 13.80V
Cyclic charging voltage(25°C)		14.50 to 14.90V
Maximum charging current		24A
Terminal material		Copper
Maximum discharge current		800A(5 sec.)

Charging Characteristics (25°C)



Cycle Life (25°C)



Note: Floating life at 20°C designed for 7 to 10 years.

- Absorbent glass mat technology;
- Recognized by UL & CE;
- Flame retardant ABS container (UL94V-0/ 94V-2).

Constant Current Discharge Characteristics (A, 25°C)

F.V/TIME	5min	10min	15min	30min	60min	3h	5h	10h	20h
9.60V	257	171	133	84.0	50.9	20.7	14.6	8.12	4.26
10.2V	244	163	128	80.7	48.9	20.4	14.4	8.05	4.23
10.8V	230	153	122	76.6	46.4	20.0	14.1	8.00	4.20

Constant Power Discharge Characteristics (Watt, 25°C)

F.V/TIME	5min	10min	15min	30min	60min	3h	5h	10h	20h
9.60V	2699	1851	1464	943	580	244	173	97.0	51.2
10.2V	2564	1758	1405	905	557	240	170	96.1	50.7
10.8V	2410	1653	1335	860	529	235	167	96.1	50.4