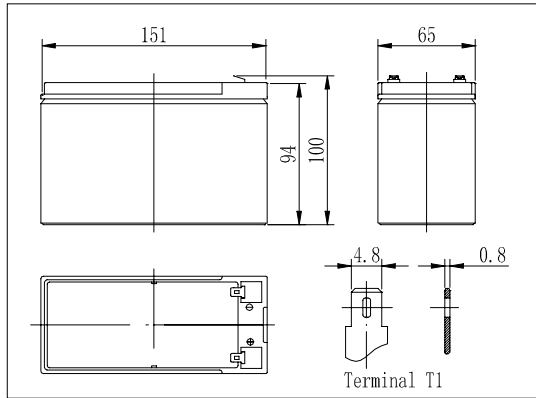
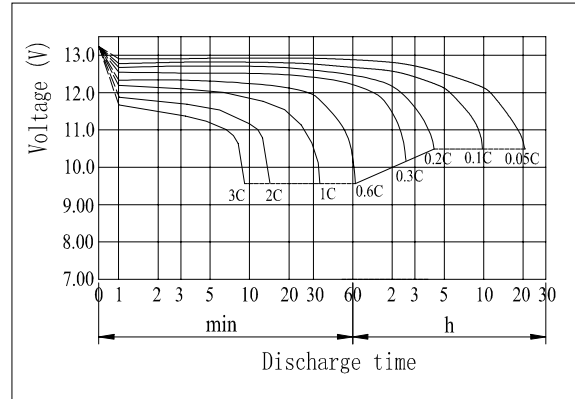


Dimensions



Discharge Characteristics(25°C)

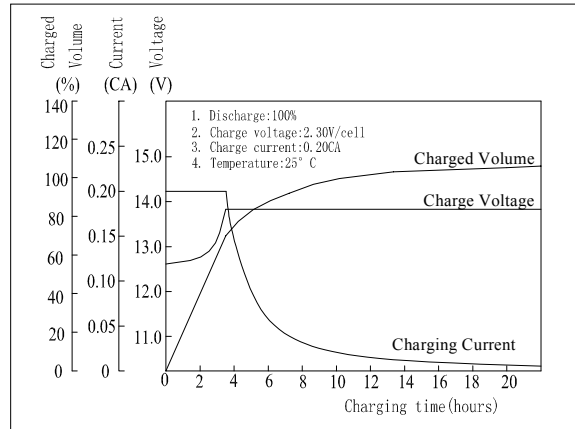


Specifications

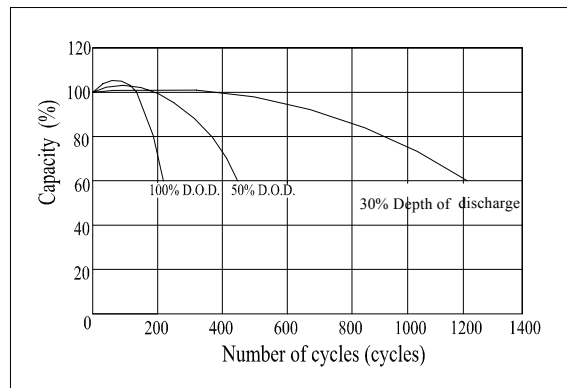
Nominal Voltage	12 V	
Capacity(20HR, 25°C)	8.5Ah	
Dimension	Length	151mm +/- 1mm
	Width	65mm +/- 1mm
	Height	94mm +/- 1mm
	Total Height	100mm +/- 1mm
Approx. Weight	2.7kg	
Internal resistance (Fully charged, 25°C)	Approx. 20m Ω	
Capacity affected by temperature (20HR)	40°C	102%
	25°C	100%
	0°C	85%
	-15°C	65%
Self-discharge (25°C)	3 month	Remaining Capacity: 91%
	6 month	Remaining Capacity: 82%
	12 month	Remaining Capacity: 65%
Nominal temperature range	25°C±3°C	
Operation temperature range	-15°C-50°C	
Float charging voltage(25°C)	13.60 to 13.80V	
Cyclic charging voltage(25°C)	14.50 to 14.90V	
Maximum charging current	3.4A	
Terminal material	Copper	
Maximum discharge current	128A(5 sec.)	

- Absorbent glass mat technology;
- Recognized by UL & CE;
- Flame retardant ABS container (UL94V-0/ 94V-2).

Charging Characteristics(25°C)



Cycle Life(25°C)



Note: Floating life at 25°C designed for 3 to 5 years.

Constant Current Discharge Characteristics (A, 25°C)

F.V/TIME	5min	10min	15min	30min	60min	3h	5h	10h	20h
9.60V	33.0	21.5	16.0	9.35	5.50	2.13	1.36	0.77	0.43
10.2V	31.4	20.4	15.4	8.98	5.28	2.10	1.34	0.76	0.42
10.8V	29.5	19.2	14.6	8.53	5.02	2.06	1.31	0.76	0.42

Constant Power Discharge Characteristics (Watt, 25°C)

F.V/TIME	5min	10min	15min	30min	60min	3h	5h	10h	20h
9.60V	368	243	182	107	63.7	25.3	16.2	9.26	5.12
10.2V	350	230	175	103	61.1	24.9	16.0	9.17	5.07
10.8V	329	217	166	97.7	58.1	24.4	15.7	9.17	5.04