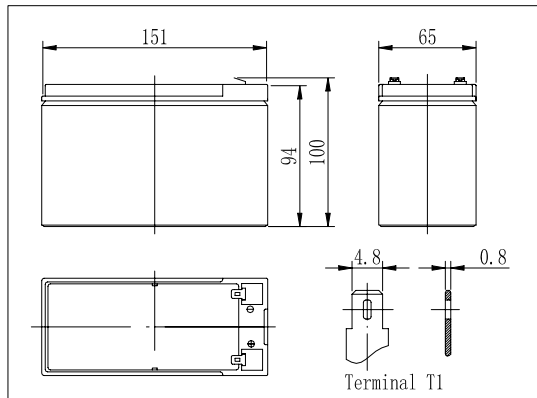
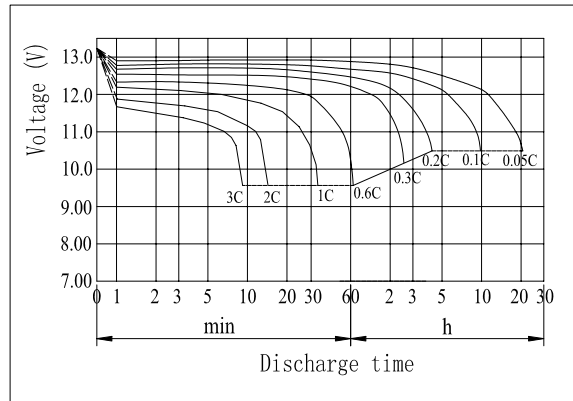


Dimensions



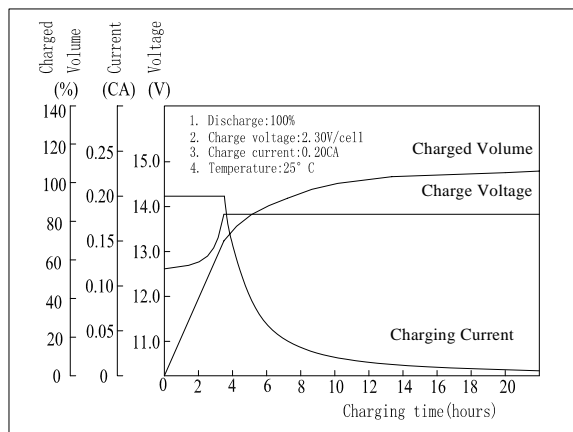
Discharge Characteristics (25°C)



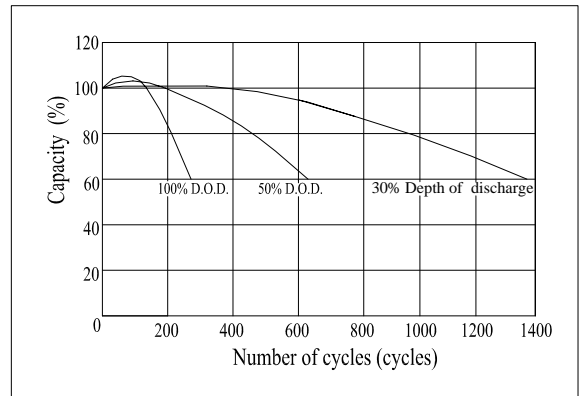
Specifications

Nominal Voltage	12 V	
Capacity (20HR, 25°C)	8Ah	
Dimension	Length	151mm
	Width	65mm
	Height	94mm
	Total Height	100mm
Approx. Weight	2.5kg	
Internal resistance (Fully charged, 25°C)	Approx. 20mΩ	
Capacity affected by temperature (20HR)	40°C	102%
	25°C	100%
	0°C	85%
	-15°C	65%
Self-discharge (25°C)	3 month	Remaining Capacity: 91%
	6 month	Remaining Capacity: 82%
	12 month	Remaining Capacity: 65%
Nominal operating temperature	25°C±3°C	
Operating temperature range	-15°C – 50°C	
Float charging voltage(25°C)	13.60 to 13.80V	
Cyclic charging voltage(25°C)	14.50 to 14.90V	
Maximum charging current	3.2A	
Terminal material	Copper	
Maximum discharge current	120A(5 sec.)	

Charging Characteristics (25°C)



Cycle Life (25°C)



Note: Floating life at 20°C designed for 3 to 5 years.

- Absorbent glass mat technology;
- Recognized by UL & CE;
- Flame retardant ABS container (UL94V-0/ 94V-2).

Constant Current Discharge Characteristics (A, 25°C)

F.V/TIME	5min	10min	15min	30min	60min	3h	5h	10h	20h
9.60V	31.0	19.6	15.4	8.89	5.25	2.03	1.38	0.75	0.41
10.2V	29.5	18.6	14.7	8.53	5.04	2.00	1.36	0.74	0.40
10.8V	27.7	17.5	14.0	8.11	4.79	1.96	1.33	0.74	0.40

Constant Power Discharge Characteristics (Watt, 25°C)

F.V/TIME	5min	10min	15min	30min	60min	3h	5h	10h	20h
9.60V	346	221	175	102	60.8	24.1	16.5	8.96	4.87
10.2V	329	210	168	97.8	58.4	23.8	16.2	8.88	4.83
10.8V	309	197	160	92.9	55.5	23.3	15.91	8.88	4.80