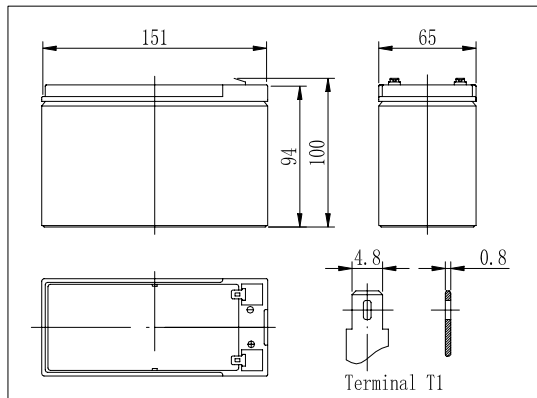
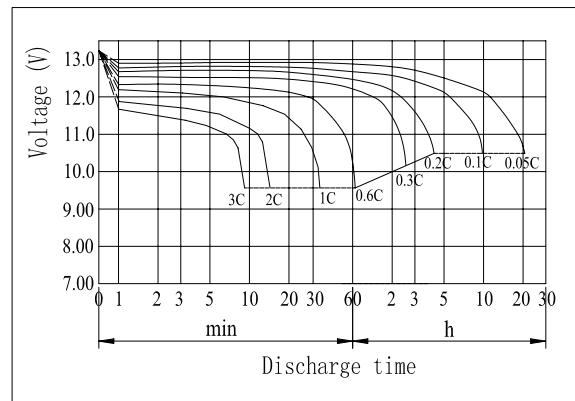


Dimensions



Discharge Characteristics(25°C)

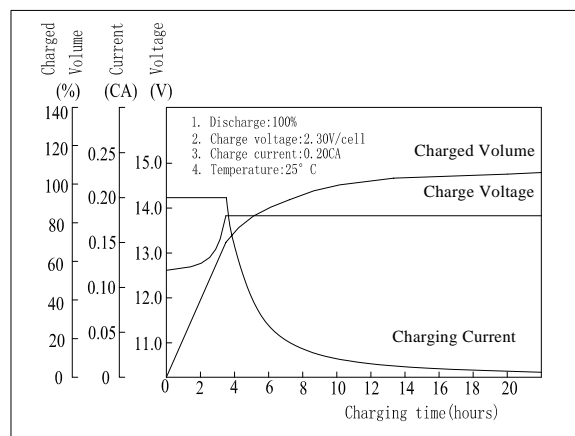


Specifications

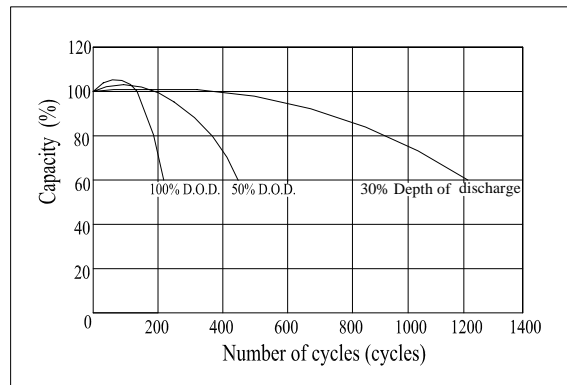
Nominal Voltage		12 V
Capacity(20HR, 25°C)		9 Ah
Dimension	Length	151mm +/- 1mm
	Width	65mm +/- 1mm
	Height	94mm +/- 1mm
	Total Height	100mm +/- 1mm
Approx. Weight		2.7kg
Internal resistance (Fully charged, 25°C)		Approx. 18mΩ
Capacity affected by temperature (20HR)	40°C	102%
	25°C	100%
	0°C	85%
	-15°C	65%
Self-discharge (25°C)	3 month	Remaining Capacity: 91%
	6 month	Remaining Capacity: 82%
	12 month	Remaining Capacity: 65%
Nominal temperature range		25°C±3°C
Operation temperature range		-15°C-50°C
Float charging voltage(25°C)		13.60 to 13.80V
Cyclic charging voltage(25°C)		14.50 to 14.90V
Maximum charging current		3.6A
Terminal material		Copper
Maximum discharge current		135A(5 sec.)

- Absorbent glass mat technology;
- Recognized by UL & CE;
- Flame retardant ABS container (UL94V-0/ 94V-2).

Charging Characteristics(25°C)



Cycle Life(25°C)



Note: Floating life at 25°C designed for 3 to 5 years.

Constant Current Discharge Characteristics (A, 25°C)

F.V/TIME	5min	10min	15min	30min	60min	3h	5h	10h	20h
9.60V	39.0	25.7	19.0	10.6	5.80	2.18	1.51	0.81	0.45
10.2V	37.1	24.2	18.1	10.2	5.57	2.15	1.49	0.81	0.45
10.8V	34.8	23.0	17.3	9.67	5.29	2.11	1.46	0.80	0.44

Constant Power Discharge Characteristics (Watt, 25°C)

F.V/TIME	5min	10min	15min	30min	60min	3h	5h	10h	20h
9.60V	435	290	217	121	67.2	25.9	18.0	9.72	5.40
10.2V	414	273	206	117	64.5	25.5	17.8	9.72	5.40
10.8V	388	259	197	111	61.3	25.1	17.4	9.60	5.28