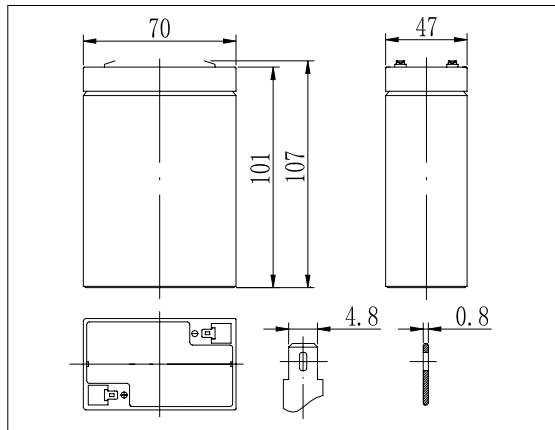
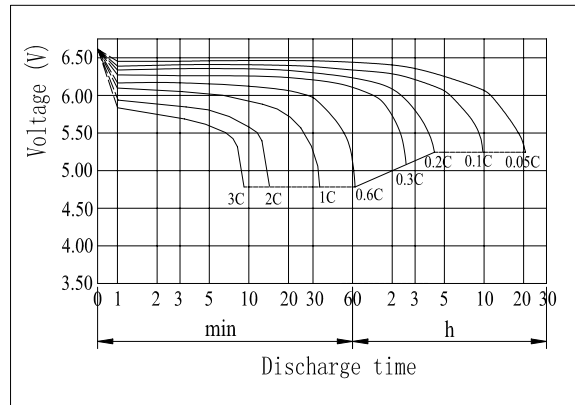


**Dimensions**



**Discharge Characteristics(25°C)**

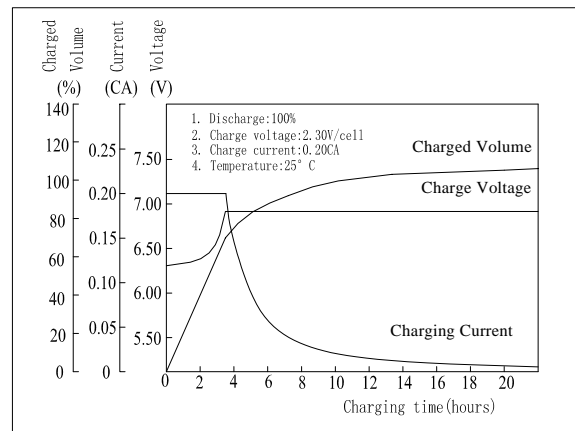


**Specifications**

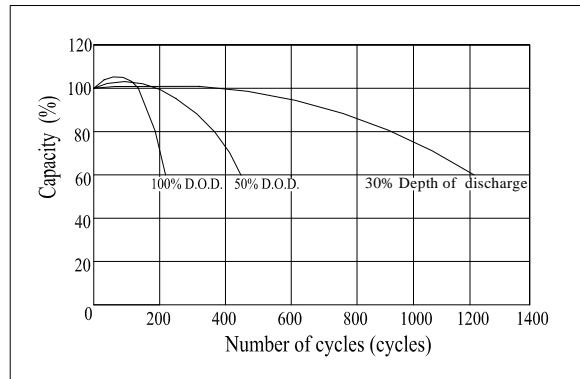
Nominal Voltage		6 V
Capacity(20HR, 25°C)		6 Ah
Dimension	Length	70mm +/- 1mm
	Width	47mm +/- 1mm
	Height	101mm +/- 1mm
	Total Height	107mm +/- 1mm
Approx. Weight		0.92kg
Internal resistance (Fully charged, 25°C)		Approx. 20mΩ
Capacity affected by temperature (20HR)	40°C	102%
	25°C	100%
	0°C	85%
	-15°C	65%
Self-discharge (25°C)	3 month	Remaining Capacity: 91%
	6 month	Remaining Capacity: 82%
	12 month	Remaining Capacity: 65%
Nominal operating temperature		25°C±3°C
Operating temperature range		-15°C-50°C
Float charging voltage(25°C)		6.80 to 6.90V
Cyclic charging voltage(25°C)		7.25 to 7.45V
Maximum charging current		2.4A
Terminal material		Copper
Maximum discharge current		90A(5 sec.)

- Absorbent glass mat technology;
- Recognized by UL & CE;
- Flame retardant ABS container (UL94V-0/ 94V-2).

**Charging Characteristics(25°C)**



**Cycle Life(25°C)**



Note: Floating life at 25°C designed for 3 to 5 years.

**Constant Current Discharge Characteristics (A, 25°C)**

F.V/TIME	5min	10min	15min	30min	60min	3h	5h	10h	20h
4.80V	22.8	14.4	11.4	6.60	3.90	1.52	1.04	0.56	0.30
5.10V	21.7	13.7	10.9	6.34	3.74	1.50	1.02	0.56	0.30
5.40V	20.4	12.9	10.4	6.02	3.56	1.47	1.00	0.55	0.30

**Constant Power Discharge Characteristics (Watt, 25°C)**

F.V/TIME	5min	10min	15min	30min	60min	3h	5h	10h	20h
4.80V	127	81.2	65.0	37.8	22.6	9.04	6.18	3.36	1.83
5.10V	121	77.2	62.4	36.3	21.7	8.91	6.09	3.33	1.81
5.40V	114	72.5	59.3	34.5	20.6	8.73	5.97	3.33	1.80