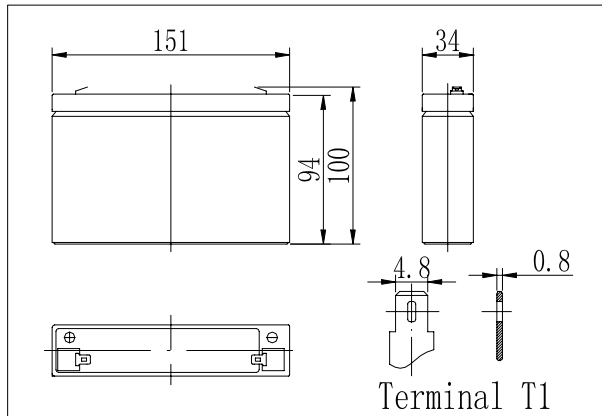
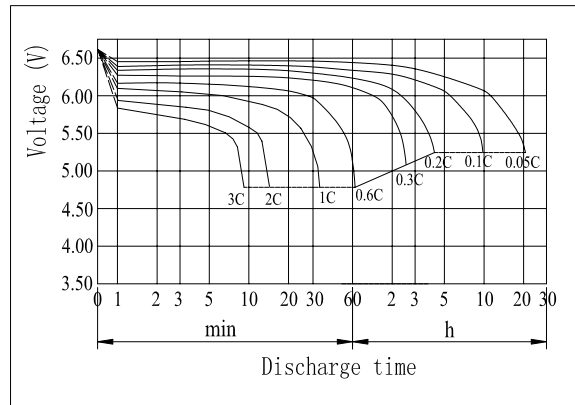


**Dimensions**



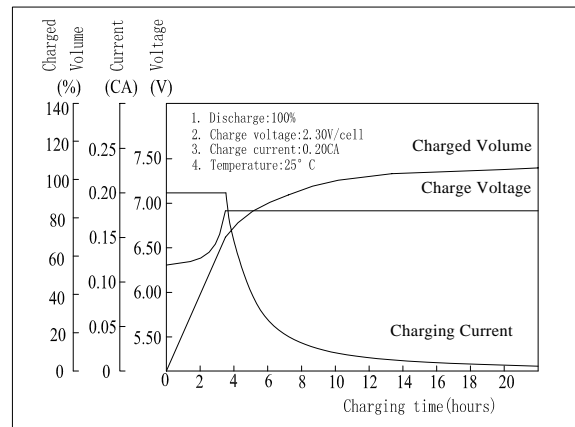
**Discharge Characteristics(25°C)**



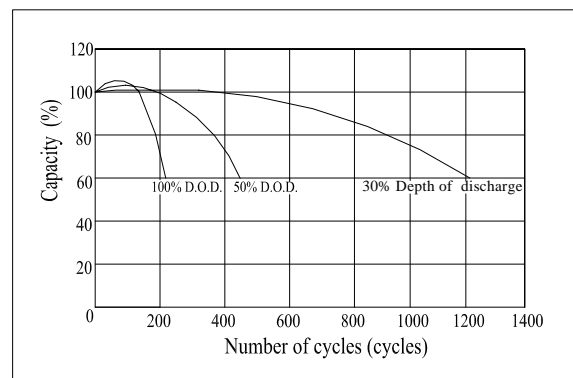
**Specifications**

Nominal Voltage	6 V	
Capacity(20HR, 25°C)	7 Ah	
Dimension	Length	151mm +/- 1mm
	Width	34mm +/- 1mm
	Height	94mm +/- 1mm
	Total Height	100mm +/- 1mm
Approx. Weight	1.36kg	
Internal resistance (Fully charged, 25°C)	Approx. 14mΩ	
Capacity affected by temperature (20HR)	40°C	102%
	25°C	100%
	0°C	85%
	-15°C	65%
Self-discharge (25°C)	3 month	Remaining Capacity: 91%
	6 month	Remaining Capacity: 82%
	12 month	Remaining Capacity: 65%
Nominal temperature range	25°C±3°C	
Operation temperature range	-15°C-50°C	
Float charging voltage(25□)	6.80 to 6.90V	
Cyclic charging voltage(25□)	7.25 to 7.45V	
Maximum charging current	2.8A	
Terminal material	Copper	
Maximum discharge current	105A(5 sec.)	

**Charging Characteristics(25°C)**



**Cycle Life(25°C)**



- Absorbent glass mat technology;
- Recognized by UL & CE;
- Flame retardant ABS container (UL94V-0/ 94V-2).

Note: Floating life at 25°C designed for 3 to 5 years.

**Constant Current Discharge Characteristics (A, 25°C)**

F.V/TIME	5min	10min	15min	30min	60min	3h	5h	10h	20h
4.80V	27.0	18.0	14.0	8.40	4.70	1.73	1.15	0.71	0.37
5.10V	25.7	17.1	13.4	8.06	4.55	1.70	1.13	0.70	0.36
5.40V	24.2	16.1	12.7	7.66	4.35	1.65	1.10	0.68	0.35

**Constant Power Discharge Characteristics (Watt, 25°C)**

F.V/TIME	5min	10min	15min	30min	60min	3h	5h	10h	20h
4.80V	151	102	80.0	47.1	27.2	10.3	6.87	4.26	2.21
5.10V	144	95.5	76.5	45.2	26.4	10.1	6.75	4.20	2.16
5.40V	135	90.0	72.5	43.0	25.2	9.80	6.57	4.08	2.10